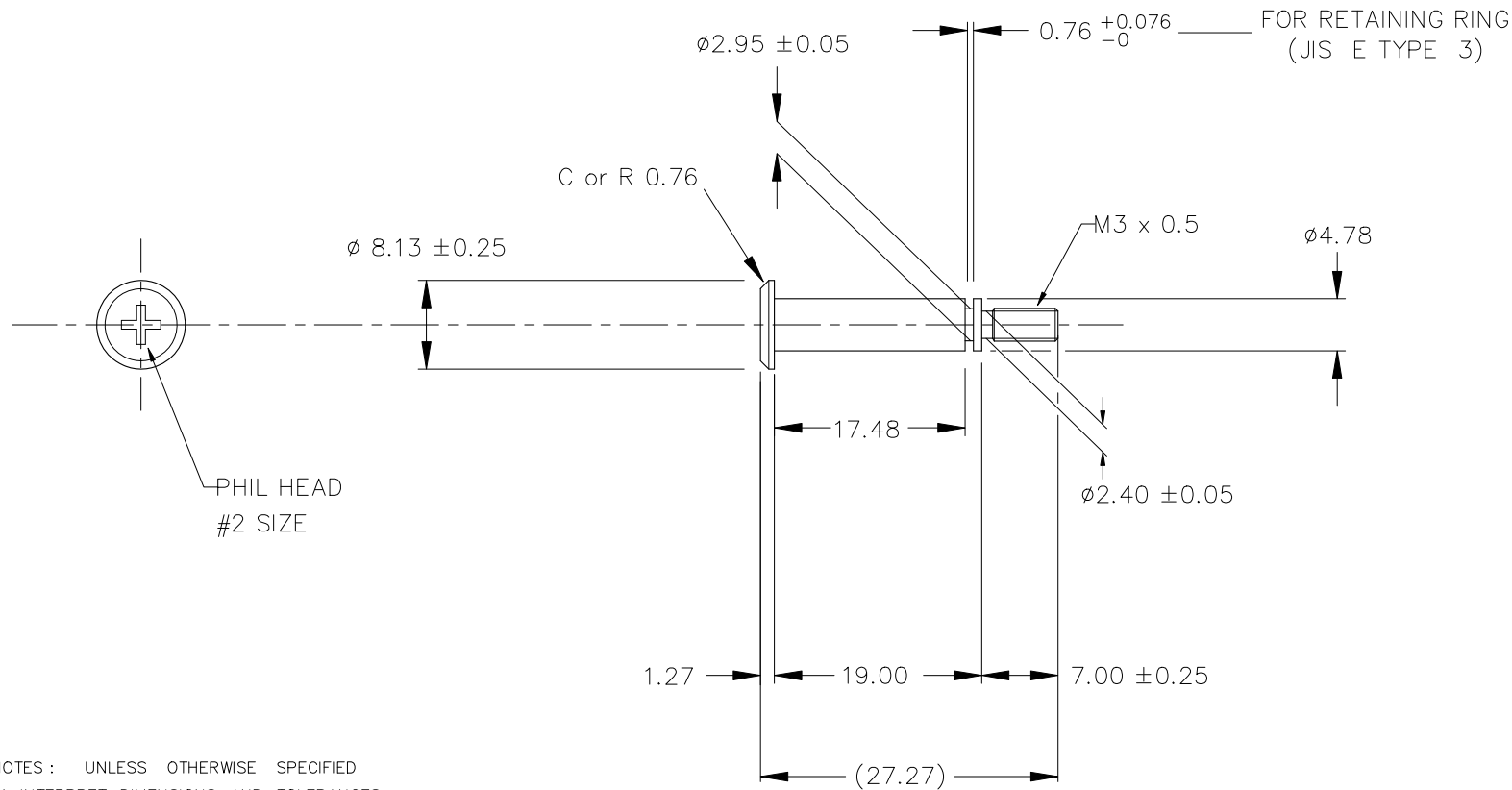


REVISIONS				
REV	DATE	DESCRIPTION	CHG	APPR



NOTES : UNLESS OTHERWISE SPECIFIED

1. INTERPRET DIMENSIONS AND TOLERANCES PER ANSI Y14.5M-1

2. ALL DIMENSIONS ARE IN MILLIMETERS.

3. MATERIAL

CARBON STEEL SWCH12A or EQUIVALENT
ZINC /CLEAR CHROMATE (Cr3+)

4. TOLERANCES : .X ±0.254
.XX ±0.127

6. BREAK AND DEBUR ALL SHARP EDGES

7. UNSPECIFIED RADII: 0.5 MAX

8. MACHINED SURFACE FINISH TO BE $\sqrt{6.3}$ OR BETTER.

ITEM	PART NO.	PART NAME	REMARK	Q'TY
ALPHA CO.,LTD.			CSTM'R'S PART NO.	
		MATERIAL NOTE 3	NAME SS-19-4.8-M3-7	
SCALE 2 : 1		APPR & CHCK M.YAMAMOTO	PART NO. & DWG NO. S089HX2F	REV
DATE DEC 14 2021		DSGN & DWG M.YAMAMOTO	RDCTN:	LOFF:

A3