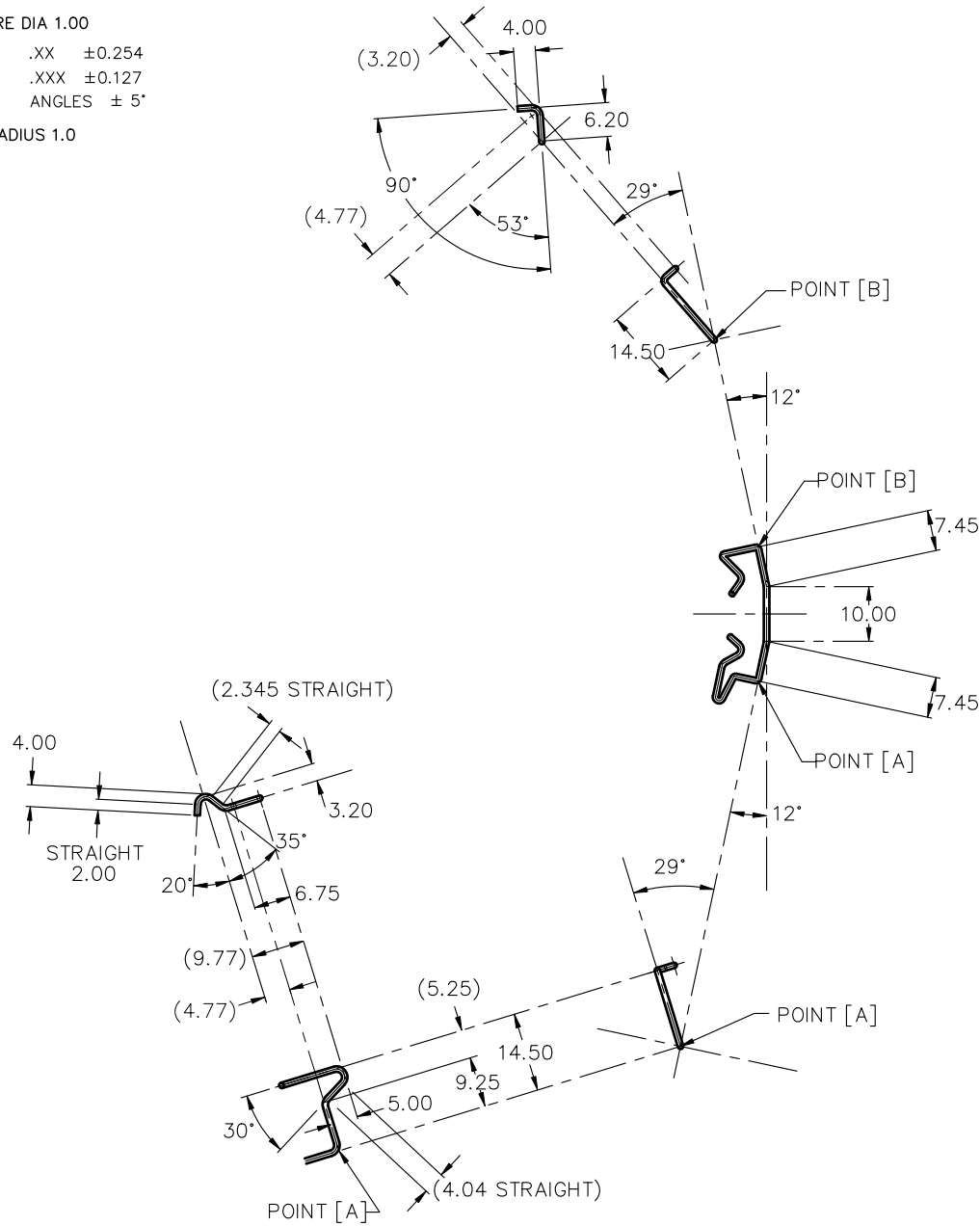


- NOTES : UNLESS OTHERWISE SPECIFIED
1. INTERPRET DIMENSIONS AND TOLERANCES PER ANSI Y14.5M
  2. ALL DIMENSIONS ARE IN MILLIMETERS.
  3. MATERIAL SW-C (SWIC-F NICKEL PRECOATED)

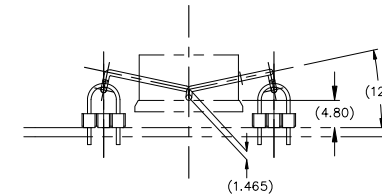
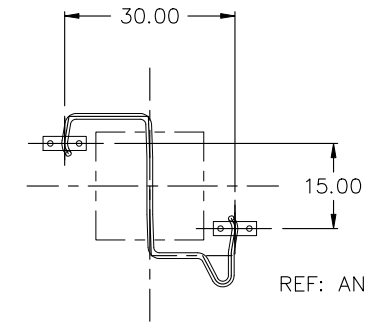
WIRE DIA 1.00

4. TOLERANCES : .XX ±0.254  
.XXX ±0.127  
ANGLES ± 5°

5. INNER CORNER RADIUS 1.0



REVISIONS				
REV	DATE	DESCRIPTION	CHG	APPR
BASED ON S001ZBJ3-A / EZR-30X15, MIRROR COPY OF EZR-30X15.				
A	AUG 09 '19	CHG THE HOOK SHAPE ON ONE SIDE. STRAIGHT 1.00 -> STRAIGHT 2.00 3.00 --> 4.00, 30° --> 20°	Y. S.	Y. S.



ITEM	PART NO.	PART NAME	REMARK	Q'TY
ALPHA CO.,LTD.			CSTMR'S PART NO.	
		MATERIAL SEE NOTE 3	NAME EZR-30X15	
SCALE 1 : 1		APPR & CHCK Y. SUZUKI	PART NO. & DWG NO.	REV
DATE JUL 24 2019		DSGN & DWG Y. SUZUKI	S001ZBJ9	A
RDCTN:			LOFF:	

A3