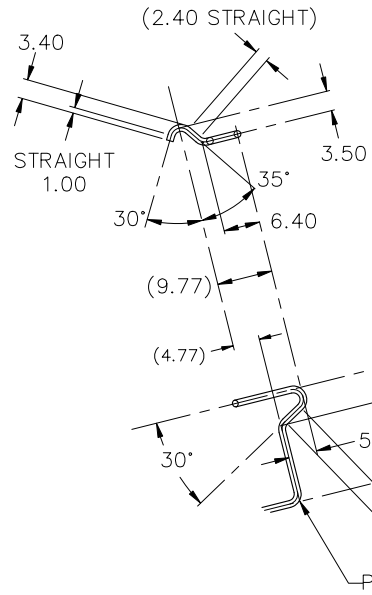
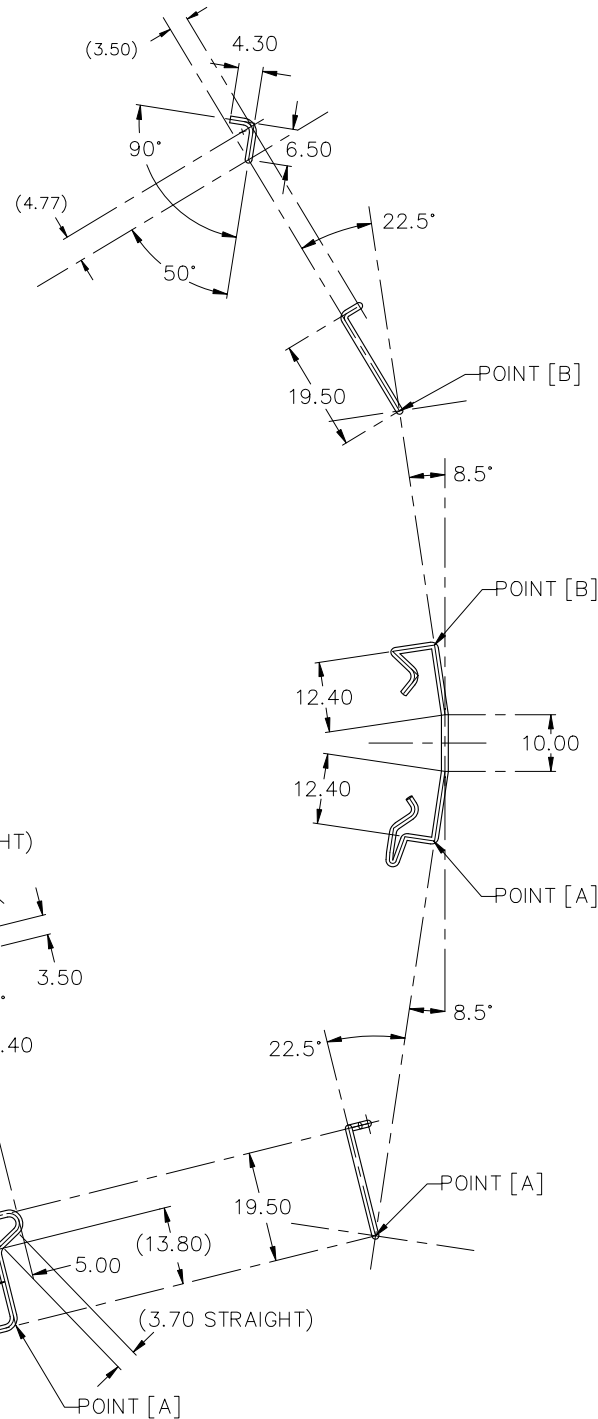
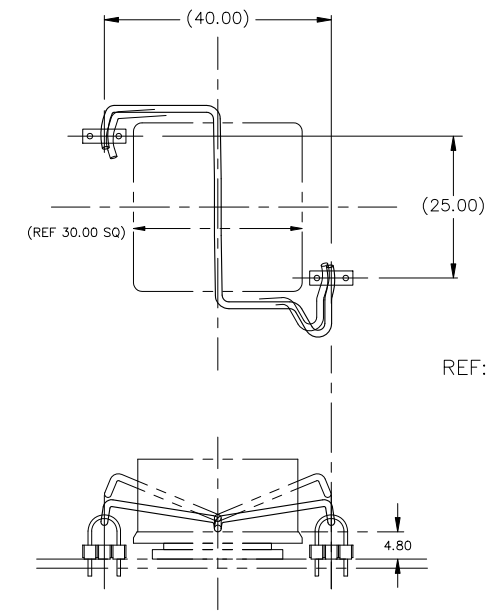


- NOTES : UNLESS OTHERWISE SPECIFIED
1. INTERPRET DIMENSIONS AND TOLERANCES PER ANSI Y14.5M
 2. ALL DIMENSIONS ARE IN MILLIMETERS.
 3. MATERIAL SW-C (SWIC-F NICKEL PRECOATED)
WIRE DIA 1.20
 4. TOLERANCES :
.XX ±0.254
.XXX ±0.127
ANGLES ± 5°
 5. INNER CORNER RADIUS 1.2



REVISIONS				
REV	DATE	DESCRIPTION	CHG	APPR
BASED ON S001ZBHQ-B / EZR-40x25, MIRROR COPY OF EZR-40x25.				



ITEM	PART NO.	PART NAME	REMARK	Q'TY
ALPHA CO.,LTD.			CSTM'R'S PART NO.	
		MATERIAL SEE NOTE 3	NAME EZR-40x25	
SCALE 1 : 1	APPR & CHCK Y.SUZUKI	PART NO. & DWG NO. S001ZBJ8	REV	
DATE JUL 24 2019	DSGN & DWG Y.SUZUKI	RDCTN:	LOFF:	

A3