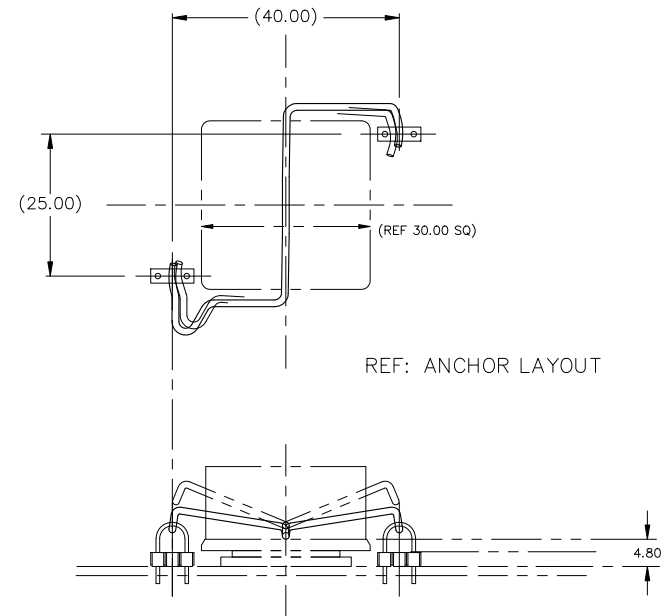
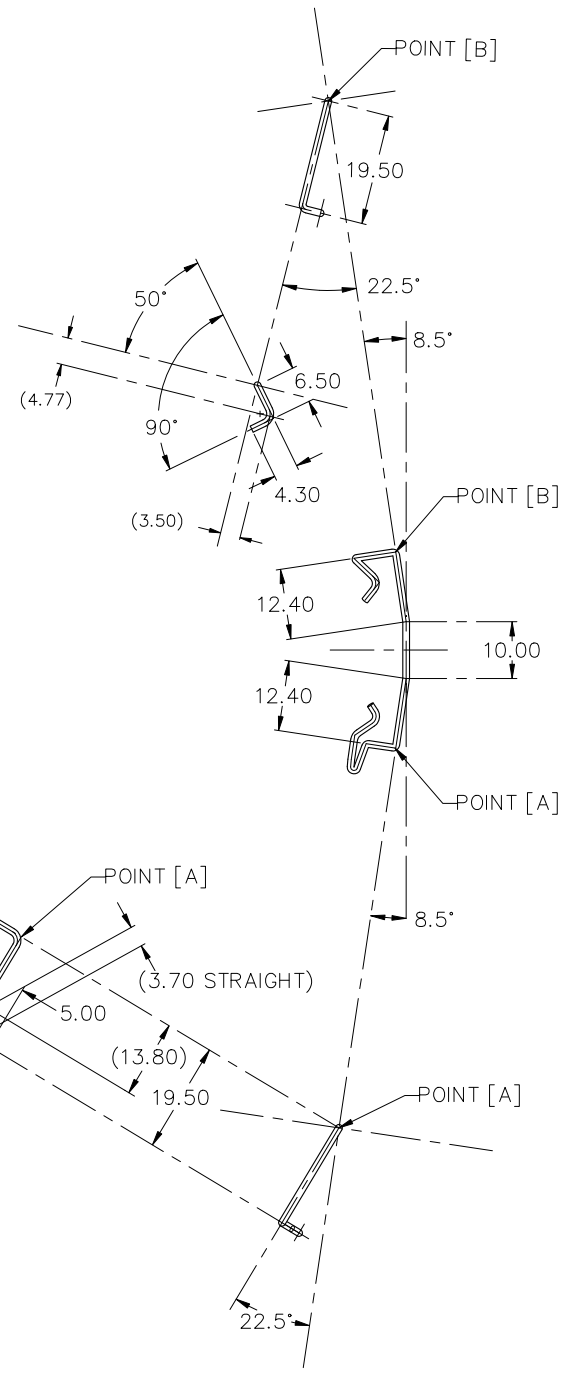


- NOTES : UNLESS OTHERWISE SPECIFIED
1. INTERPRET DIMENSIONS AND TOLERANCES PER ANSI Y14.5M
  2. ALL DIMENSIONS ARE IN MILLIMETERS.
  3. MATERIAL SW-C (SWIC-F NICKEL PRECOATED)  
WIRE DIA 1.20
  4. TOLERANCES :  
.XX ±0.254  
.XXX ±0.127  
ANGLES ± 5°
  5. INNER CORNER RADIUS 1.2

REVISIONS				
REV	DATE	DESCRIPTION	CHG	APPR
A	DEC 27 '18	CORRECTED DIMENSIONS ( 6.17 -> 6.40, (2.814 STRAIGHT) -> (2.40 STRAIGHT) )	Y. S.	Y. S.
B	MAY 01 '19	CORRECTED DIMENSIONS OF RIGHT TORSION ARM (47°->50°, 6.70->6.50)	Y. S.	Y. S.



ITEM	PART NO.	PART NAME	REMARK	Q'TY
<b>ALPHA CO.,LTD.</b>			CSTM'R'S PART NO.	
		MATERIAL SEE NOTE 3	NAME EZR-40x25	
SCALE 1 : 1		APPR & CHCK Y.SUZUKI	PART NO. & DWG NO. S001ZBHQ	REV B
DATE AUG 28 2018		DSGN & DWG Y.SUZUKI	RDCTN:	LOFF:

A3