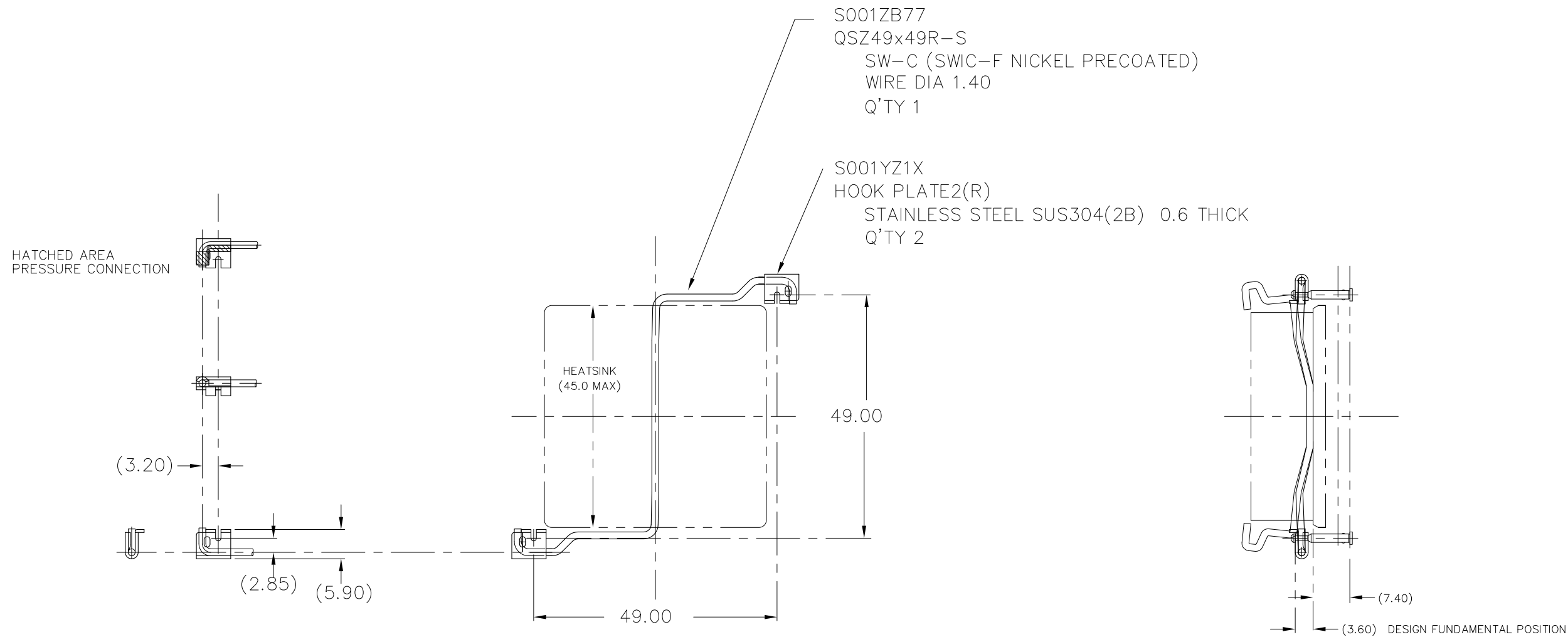


REVISIONS				
REV	DATE	DESCRIPTION	CHG	APPR
	JAN 14 '11	CHG NAME (WAS QSZ Z-CL 45SQ AS-P49).	Y.S.	Y.S.
PRODUCTION RELEASE				



ANCHOR LAYOUT ON BOARD
REQUIRES $\phi 1.80 \pm 0.05$ THRU HOLE
FOR ANCHORS IN BOARD.

- NOTES : UNLESS OTHERWISE SPECIFIED
1. INTERPRET DIMENSIONS AND TOLERANCES PER ANSI Y14.5M
 2. ALL DIMENSIONS ARE IN MILLIMETERS.
 3. TOLERANCES :
 .XX ± 0.254
 .XXX ± 0.127
 ANGLES $\pm 3^\circ$

ITEM	PART NO.	PART NAME	REMARK	Q'TY
ALPHA CO.,LTD.		CSTM'R'S PART NO.		
	MATERIAL		NAME	QSZ49x49R
SCALE	APPR & CHCK	PART NO. & DWG NO.		REV
1 : 1	Y.SUZUKI	S001ZB76		
DATE	DSGN & DWG	RDCN:	LOFF:	
NOV 09. 2010	Y.SUZUKI			