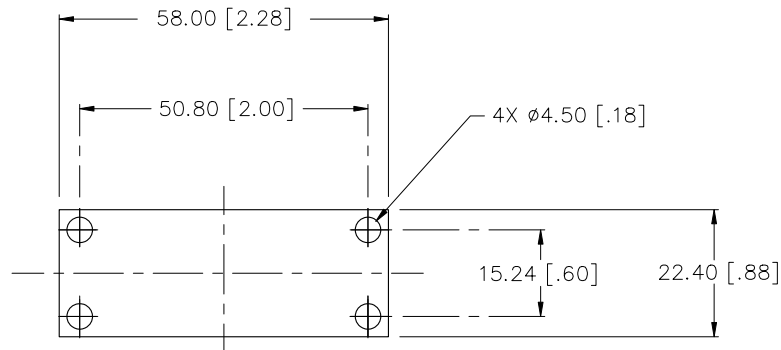


REVISIONS				
REV	DATE	DESCRIPTION	CHG	APPR



NOTES : UNLESS OTHERWISE SPECIFIED

1. INTERPRET DIMENSIONS AND TOLERANCES PER ANSI Y14.5M

2. ALL DIMENSIONS ARE IN MILLIMETERS [INCHES].

3. MATERIAL:

LAIRD TECHNOLOGIES TPCM5125

0.125[.005"]THK.

SUPPLIED ON A REMOVABLE LINER SHEET.

4. TOLERANCES : ± 0.381 [± 0.015]

ITEM	PART NO.	PART NAME	REMARK	Q'TY
ALPHA CO.,LTD.			CSTM'R'S PART NO.	
	MATERIAL SEE NOTE 3		NAME TPCM5125-EB	
SCALE 1 : 1		APPR & CHCK M. YAMAMOTO	PART NO. & DWG NO. S001XSDX	
DATE SEP 14 2023		DSGN & DWG M. YAMAMOTO	RDCTN: LOFF:	