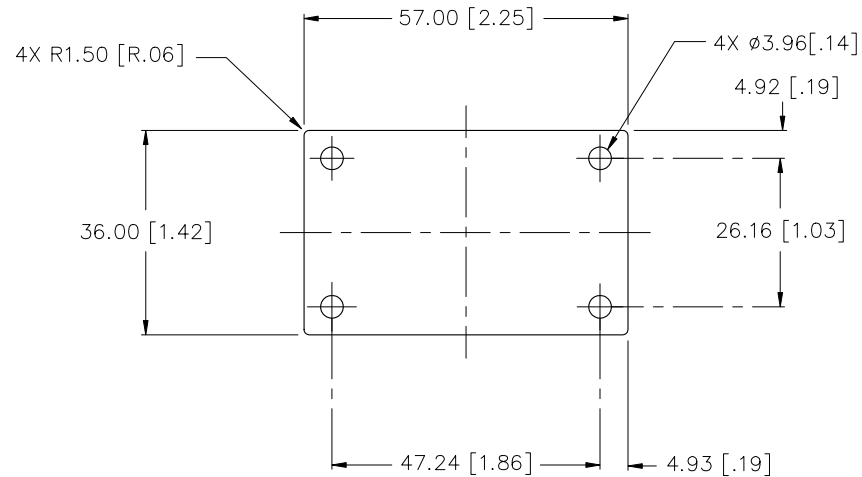


REVISIONS				
REV	DATE	DESCRIPTION	CHG	APPR



- NOTES : UNLESS OTHERWISE SPECIFIED
- INTERPRET DIMENSIONS AND TOLERANCES PER ANSI Y14.5M
 - ALL DIMENSIONS ARE IN MILLIMETERS.
 - MATERIAL:
LAIRD TECHNOLOGIES TPCM7125
0.125[.005"]THK.
SUPPLIED ON A REMOVABLE LINER SHEET.
 - TOLERANCES :
.XX ±0.381 [±.015]

ITEM	PART NO.	PART NAME	REMARK	Q'TY
ALPHA CO.,LTD.			CSTM'R'S PART NO.	
		MATERIAL SEE NOTE 3	NAME TPCM7125-QB	
SCALE 1 : 1		APPR & CHCK A. KATSUMATA	PART NO. & DWG NO. S001XSAB	REV
DATE MAR 15. 2023		DSGN & DWG A. KATSUMATA	RDCTN:	LOFF: