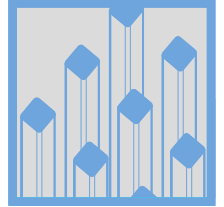


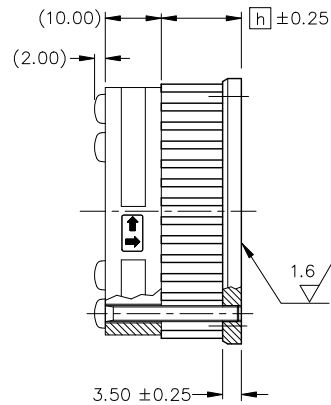
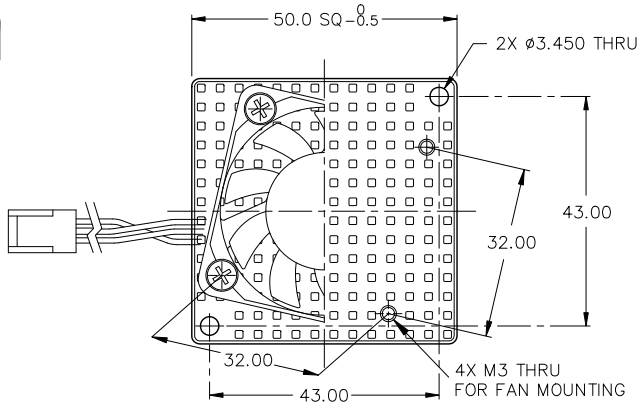
ALPHA

Active Heat Sink with Attachment Holes

FSP50



DIM



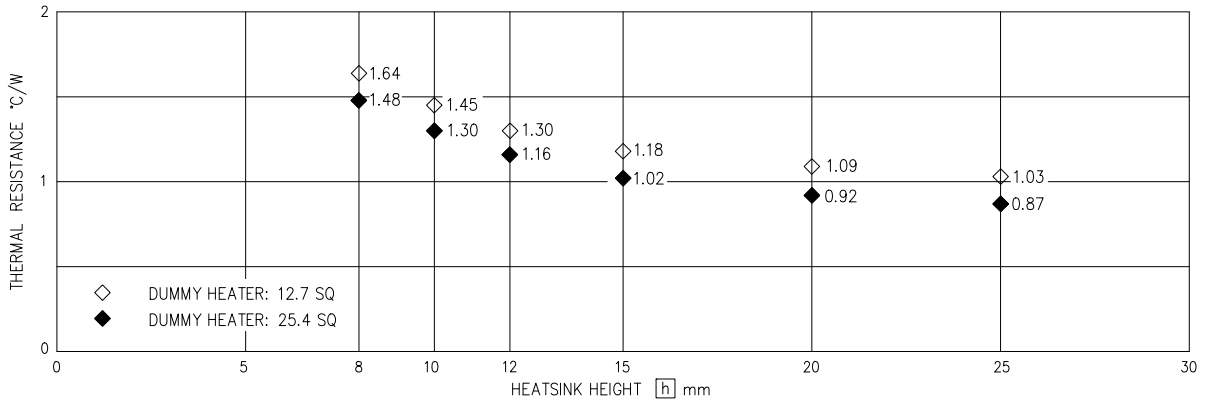
- HEAT SINK MATERIAL : A6063 FINISH : BLACK ANODIZE
- FAN M42: SANYO DENKI 109P0412H901 40 SQ +1/-0, 10 +1/-0 THK (12V) M47: SANYO DENKI 109P0405H901 40 SQ +1/-0, 10 +1/-0 THK (5V)
- SCREW (Q'TY 4) PAN HEAD PHILLIPS M3 STEEL Cr3+
- FAN DETAIL: PLEASE VISIT OUR WEBSITE.

HEATSINK HEIGHT [h]	WEIGHT (grams)	M42 FAN MODEL	WEIGHT (grams)	M47 FAN MODEL	WEIGHT (grams)
8.00	27.3	FSP50-8M42	51.5	FSP50-8M47	51.5
10.00	29.4	FSP50-10M42	53.9	FSP50-10M47	53.9
12.00	31.4	FSP50-12M42	56.3	FSP50-12M47	56.3
15.00	34.5	FSP50-15M42	59.9	FSP50-15M47	59.9
20.00	39.6	FSP50-20M42	65.8	FSP50-20M47	65.8
25.00	44.7	FSP50-25M42	71.7	FSP50-25M47	71.7

■ TO SELECT PUSH PINS AND SPRINGS, TO APPLY TIM. PLEASE VISIT OUR WEBSITE.

DIMENSIONS : mm

DATA

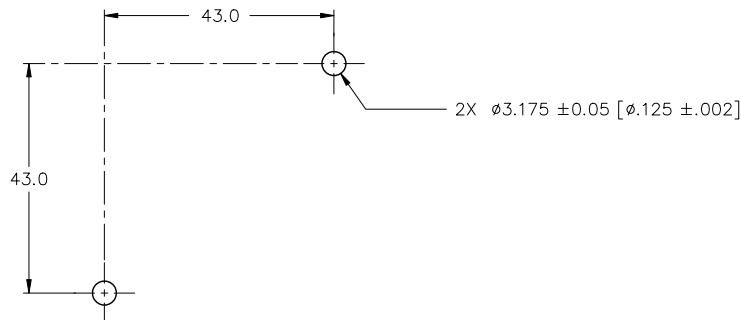


- TESTING SPECIFICATIONS, DUMMY HEATER SIZE : 12.7SQ & 25.4 SQ
- BASED ON ALPHA'S STANDARD TEST PROCEDURE. REFER TO TECHNICAL INFORMATION.

REF



PCB HOLE LAYOUT



Alpha Company Ltd.

256-1 UEDA, NUMAZU-CITY SHIZUOKA-PREF., JAPAN
 PHONE +81(55)966 0789
 FAX +81(55)966 9192
 E mail : alpha@micforg.co.jp
 URL : <https://www.micforg.co.jp>

Alpha Novatech, Inc. - a subsidiary of Alpha Company.

473 Sapena Ct. #12 Santa Clara, CA 95054 USA
 PHONE +1(408)567-8082
 FAX +1(408)567-8053
 E mail : sales@alphanovatech.com
 URL : <https://www.alphanovatech.com>