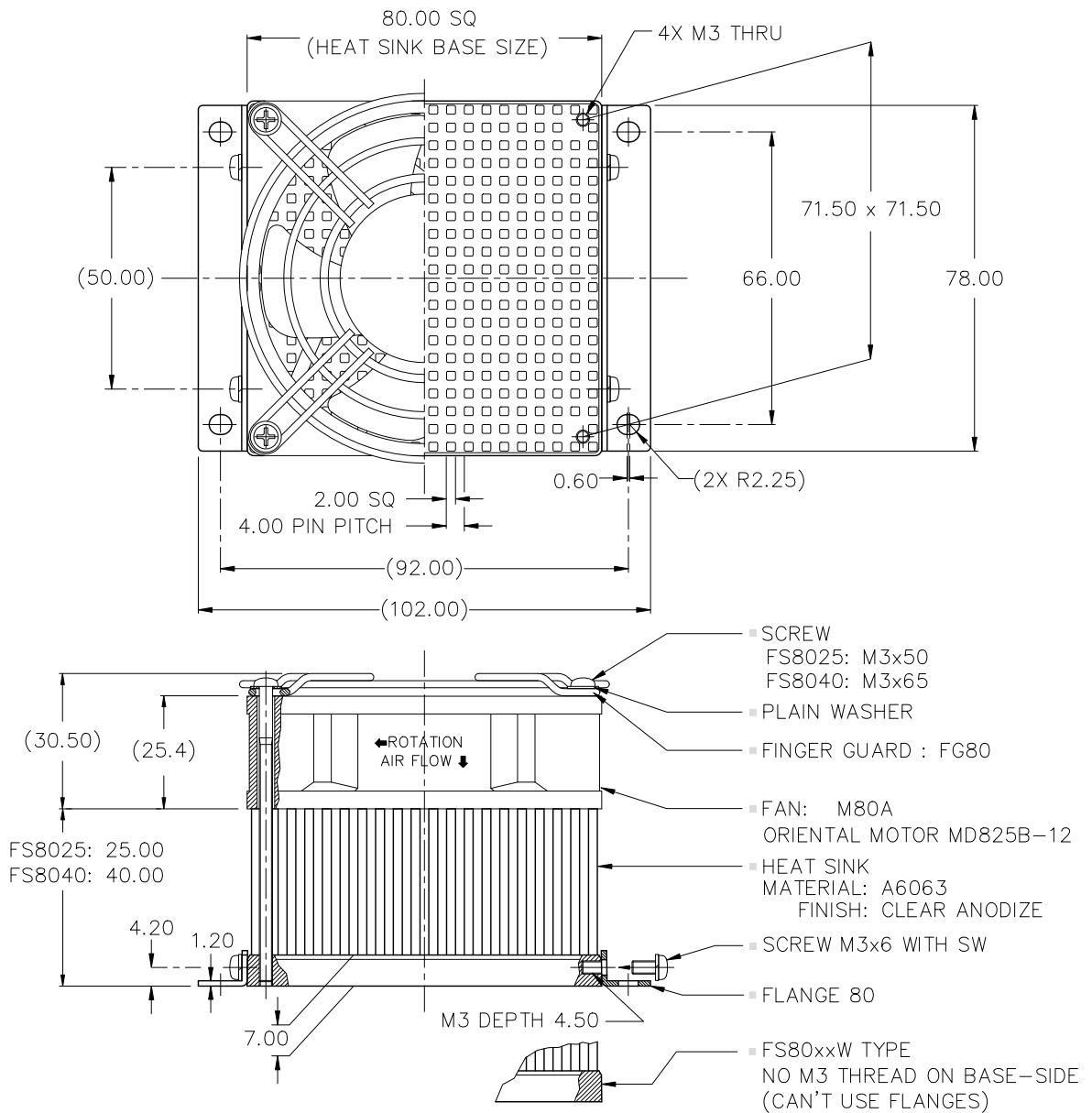


DIM



DIMENSIONS : mm

DATA



FS8025PU	0.27 °C/W								
FS8040PU	0.21 °C/W								

0 0.5 1.0
THERMAL RESISTANCE °C/W

■ TESTING SPECIFICATIONS DUMMY HEATER SIZE: 70SQ

■ BASED ON ALPHA'S STANDARD TEST PROCEDURE. REFER TO TECHNICAL INFORMATION.