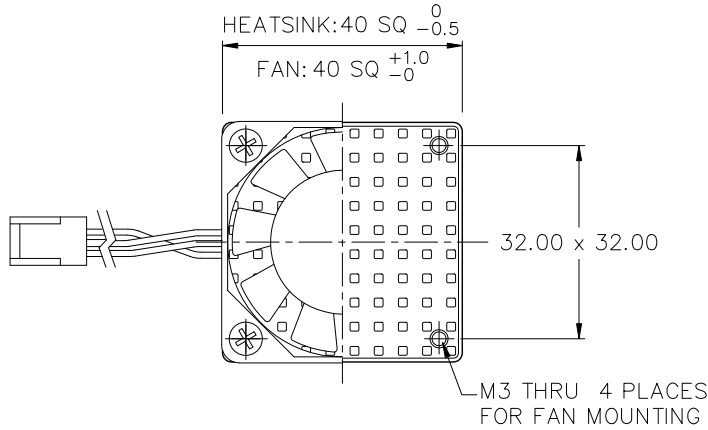
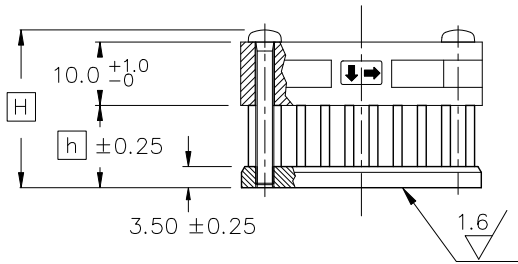


### DIM



- HEAT SINK  
MATERIAL : A 6063  
FINISH : CLEAR ANODIZE
- FAN  
M42: SANYO DENKI 109P0412H901  
40 SQ +1.0/-0 (12V)  
M47: SANYO DENKI 109P0405H901  
40 SQ +1.0/-0 (5V)
- SCREW  
PAN HEAD M3  
STEEL ZINC / CHROMATE ( Cr3+ )



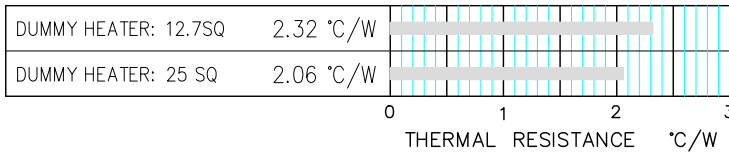
MODEL	HEIGHT		WEIGHT (grams)
	H	h	
FS40-8M42	(20.5)	8.0	44
FS40-15M42	(27.5)	15.0	46
FS40-8M47	(20.5)	8.0	44
FS40-15M47	(27.5)	15.0	46

DIMENSIONS : mm

### DATA



#### FS40-8M42 AND FS40-8M47



- TESTING SPECIFICATIONS  
DUMMY HEATER SIZE: 12.7SQ & 25SQ
- BASED ON ALPHA'S STANDARD TEST PROCEDURE.  
REFER TO TECHNICAL INFORMATION.

#### FS40-15M42 AND FS40-15M47

