

FFM Series
FFH Series
FF60 Heatsink

Push Pin Attached Heat Sink
with Embedded Frameless Fan

ALPHA

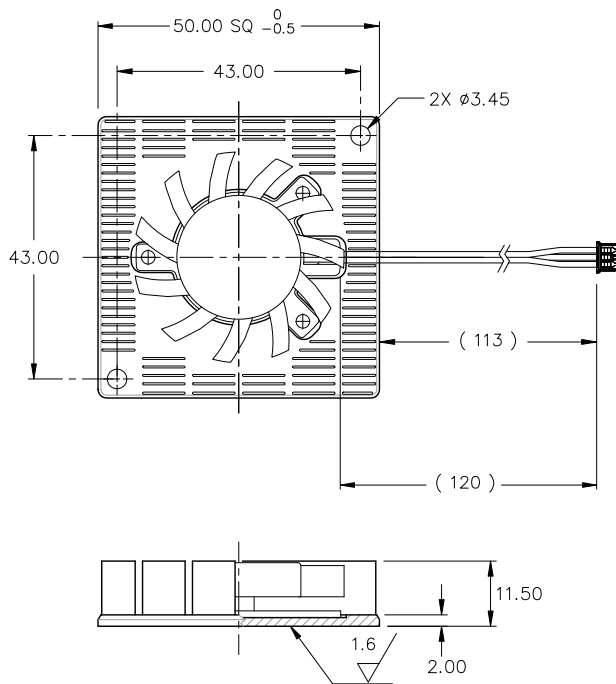
ALPHA

Push Pin Attached Heat Sink with Embedded Frameless Fan

FFM50



DIM



HEAT SINK MATERIAL : A6063
FINISH : BLACK ANODIZE

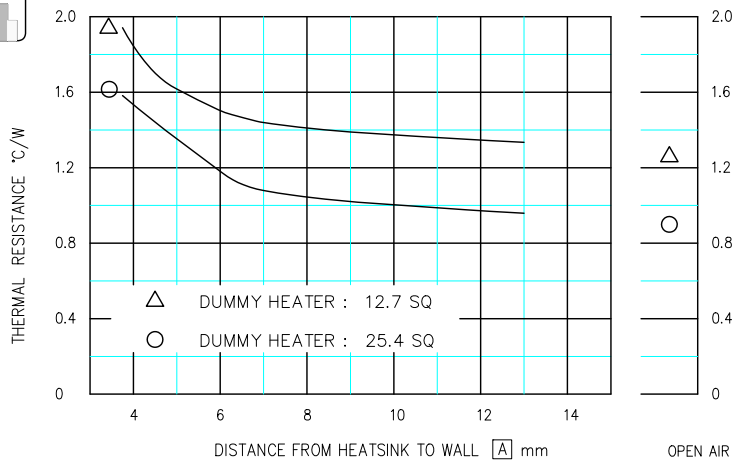
FAN FM401: COFAN F-4008H12BII-16
ø37.2 ± 0.2, 9.6 +1/-0.6THK
FAN DETAIL: PLEASE VISIT OUR WEBSITE.

DIMENSIONS : mm

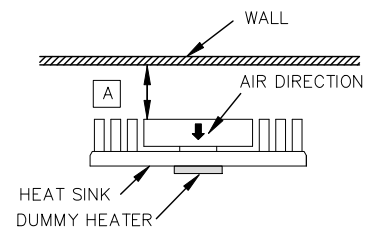
| MODEL | WEIGHT (grams) |
|------------|----------------|
| FFM50-11PU | 26.6 |

TO SELECT PUSH PINS AND SPRINGS, TO APPLY TIM. PLEASE VISIT OUR WEBSITE.

DATA



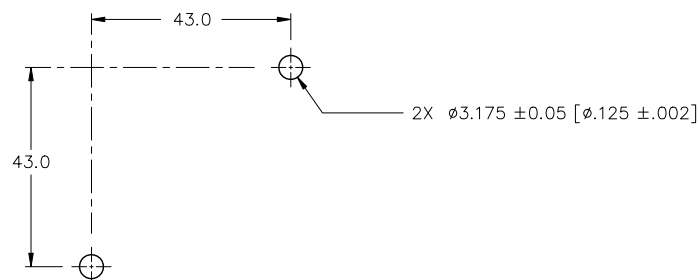
TEST CONDITION
(NOTE : NO WALL FOR OPEN AIR TEST)



REF



PCB HOLE LAYOUT



Alpha Company Ltd.

256-1 UEDA, NUMAZU-CITY SHIZUOKA-PREF., JAPAN
PHONE +81(55)966 0789
FAX +81(55)966 9192
E mail : alpha@micforg.co.jp
URL : <https://www.micforg.co.jp>

Alpha Novatech, Inc. - a subsidiary of Alpha Company.

473 Sapena Ct. #12 Santa Clara, CA 95054 USA
PHONE +1(408)567-8082
FAX +1(408)567-8053
E mail : sales@alphanovatech.com
URL : <https://www.alphanovatech.com>

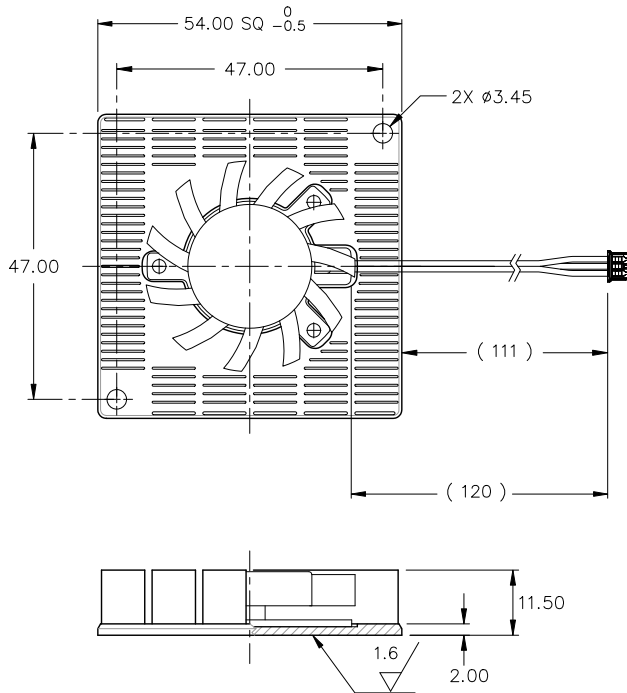
ALPHA

Push Pin Attached Heat Sink with Embedded Frameless Fan

FFM54



DIM



HEAT SINK MATERIAL : A6063
FINISH : BLACK ANODIZE

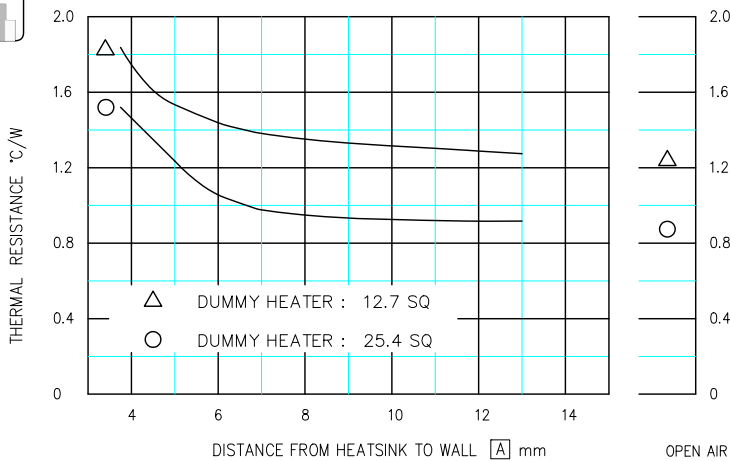
FAN FM401: COFAN F-4008H12BII-16
Ø37.2 ± 0.2, 9.6 +1/-0.6THK
FAN DETAIL: PLEASE VISIT OUR WEBSITE.

DIMENSIONS : mm

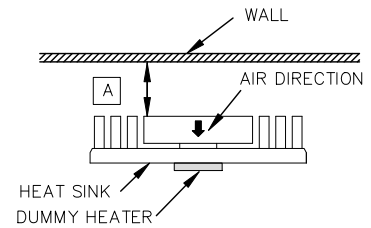
| MODEL | WEIGHT (grams) |
|------------|----------------|
| FFM54-11PU | 31.1 |

TO SELECT PUSH PINS AND SPRINGS, TO APPLY TIM. PLEASE VISIT OUR WEBSITE.

DATA



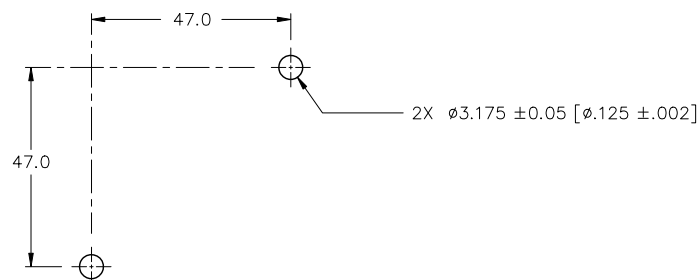
TEST CONDITION
(NOTE : NO WALL FOR OPEN AIR TEST)



REF



PCB HOLE LAYOUT



Alpha Company Ltd.

256-1 UEDA, NUMAZU-CITY SHIZUOKA-PREF., JAPAN
PHONE +81(55)966 0789
FAX +81(55)966 9192
E mail : alpha@micforg.co.jp
URL : <https://www.micforg.co.jp>

Alpha Novatech, Inc. - a subsidiary of Alpha Company.

473 Sapena Ct. #12 Santa Clara, CA 95054 USA
PHONE +1(408)567-8082
FAX +1(408)567-8053
E mail : sales@alphanovatech.com
URL : <https://www.alphanovatech.com>

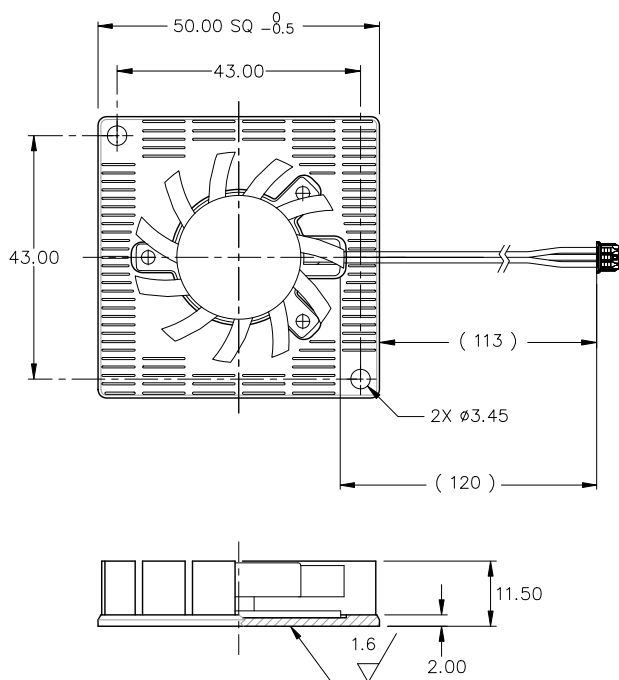
ALPHA

Push Pin Attached Heat Sink with Embedded Frameless Fan

FFH50



DIM



HEAT SINK MATERIAL : A6063
FINISH : BLACK ANODIZE

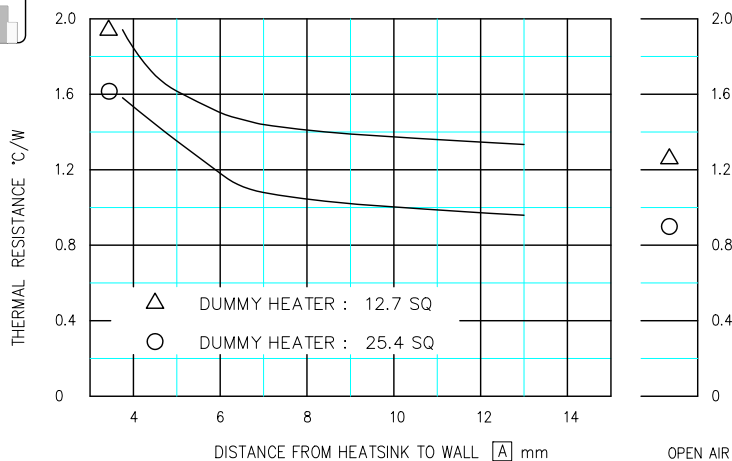
FAN FM401: COFAN F-4008H12BII-16
ø37.2 ± 0.2, 9.6 +1/-0.6THK
FAN DETAIL: PLEASE VISIT OUR WEBSITE.

DIMENSIONS : mm

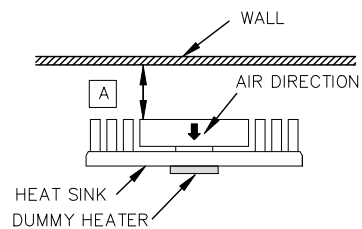
| MODEL | WEIGHT (grams) |
|------------|----------------|
| FFH50-11PU | 26.6 |

TO SELECT PUSH PINS AND SPRINGS, TO APPLY TIM. PLEASE VISIT OUR WEBSITE.

DATA



TEST CONDITION
(NOTE : NO WALL FOR OPEN AIR TEST)

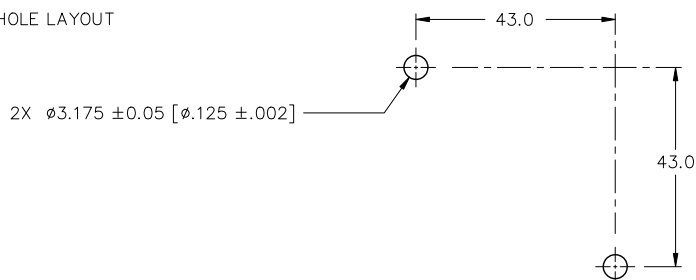


BASED ON ALPHA'S STANDARD TEST PROCEDURE. REFER TO TECHNICAL INFORMATION.

REF



PCB HOLE LAYOUT



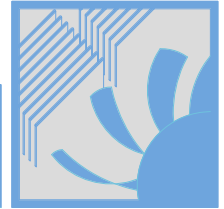
Alpha Company Ltd.

256-1 UEDA, NUMAZU-CITY SHIZUOKA-PREF., JAPAN
PHONE +81(55)966 0789
FAX +81(55)966 9192
E mail : alpha@micforg.co.jp
URL : <https://www.micforg.co.jp>

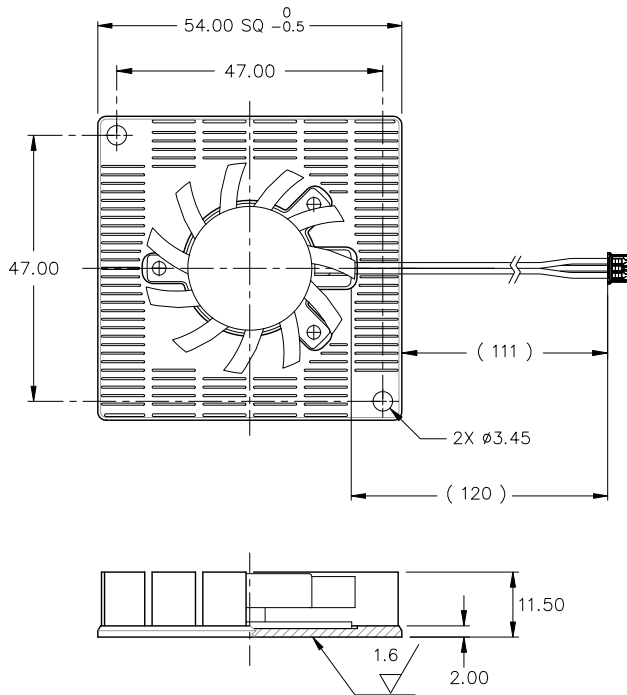
Alpha Novatech, Inc. - a subsidiary of Alpha Company.

473 Sapena Ct. #12 Santa Clara, CA 95054 USA
PHONE +1(408)567-8082
FAX +1(408)567-8053
E mail : sales@alphanovatech.com
URL : <https://www.alphanovatech.com>

ALPHA Push Pin Attached Heat Sink with Embedded Frameless Fan FFH54



DIM



HEAT SINK MATERIAL : A6063
FINISH : BLACK ANODIZE

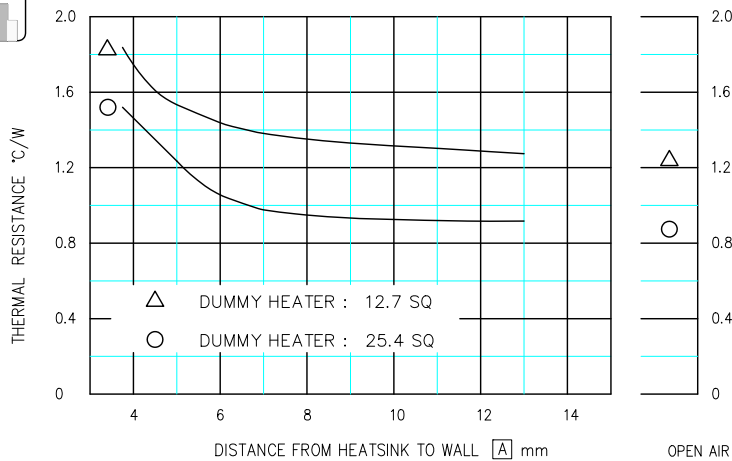
FAN FM401: COFAN F-4008H12BII-16
ø37.2 ± 0.2, 9.6 +1/-0.6THK
FAN DETAIL: PLEASE VISIT OUR WEBSITE.

DIMENSIONS : mm

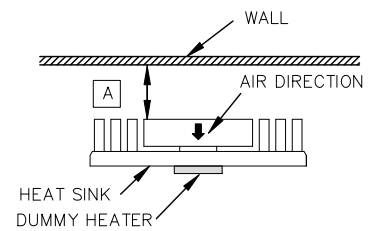
| MODEL | WEIGHT (grams) |
|------------|----------------|
| FFH54-11PU | 31.1 |

TO SELECT PUSH PINS AND SPRINGS, TO APPLY TIM. PLEASE VISIT OUR WEBSITE.

DATA



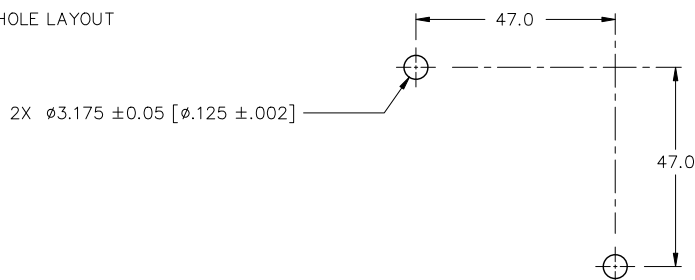
TEST CONDITION
(NOTE : NO WALL FOR OPEN AIR TEST)



REF



PCB HOLE LAYOUT



Alpha Company Ltd.

256-1 UEDA, NUMAZU-CITY SHIZUOKA-PREF., JAPAN
PHONE +81(55)966 0789
FAX +81(55)966 9192
E mail : alpha@micforg.co.jp
URL : <https://www.micforg.co.jp>

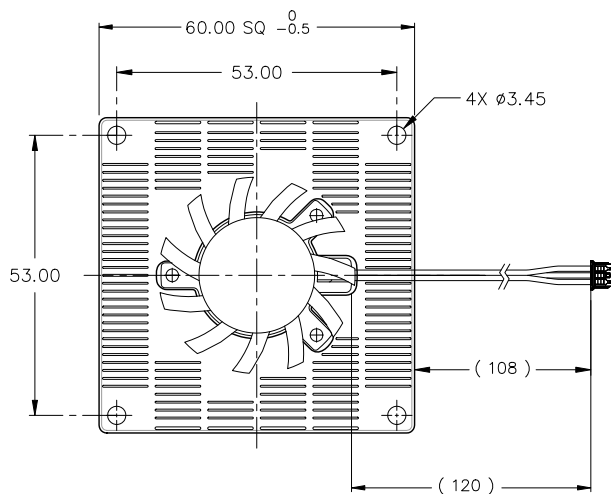
Alpha Novatech, Inc. - a subsidiary of Alpha Company.

473 Sapena Ct. #12 Santa Clara, CA 95054 USA
PHONE +1(408)567-8082
FAX +1(408)567-8053
E mail : sales@alphanovatech.com
URL : <https://www.alphanovatech.com>

ALPHA

Push Pin Attached Heat Sink with Embedded Frameless Fan

FF60

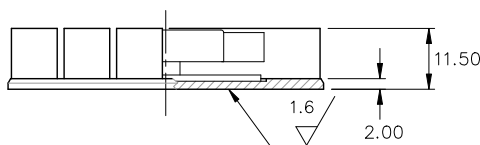


HEAT SINK MATERIAL : A6063
FINISH : BLACK ANODIZE

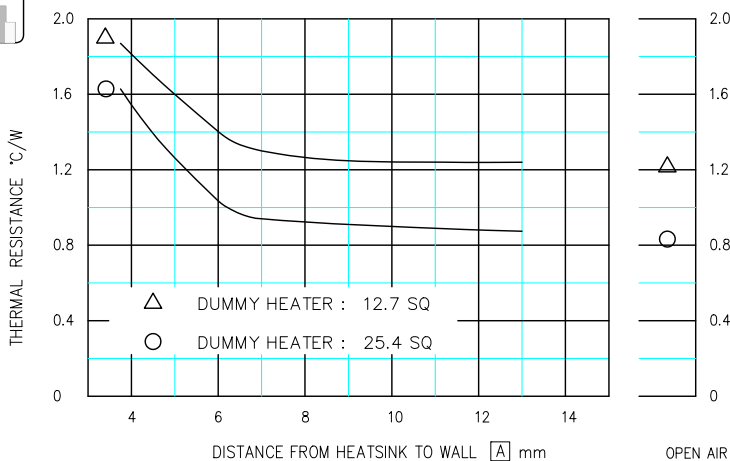
FAN FM401: COFAN F-4008H12BII-16
ø37.2 ± 0.2, 9.6 +1/-0.6THK
FAN DETAIL: PLEASE VISIT OUR WEBSITE.

DIMENSIONS : mm

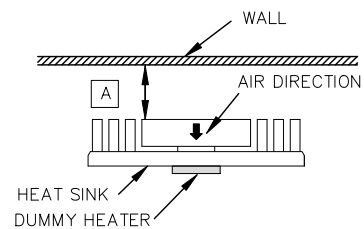
| MODEL | WEIGHT (grams) |
|-----------|----------------|
| FF60-11PU | 37.9 |



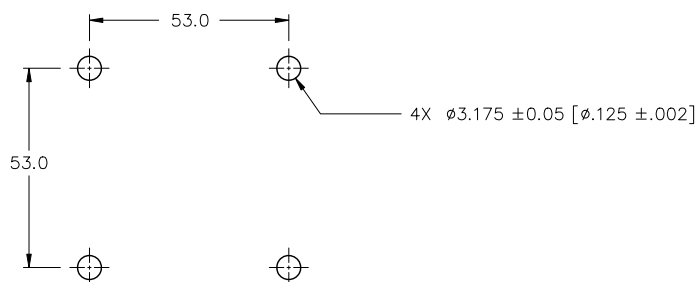
TO SELECT PUSH PINS AND SPRINGS, TO APPLY TIM. PLEASE VISIT OUR WEBSITE.



TEST CONDITION
(NOTE : NO WALL FOR OPEN AIR TEST)



PCB HOLE LAYOUT



Alpha Company Ltd.

256-1 UEDA, NUMAZU-CITY SHIZUOKA-PREF., JAPAN
PHONE +81(55)966 0789
FAX +81(55)966 9192
E mail : alpha@micforg.co.jp
URL : <https://www.micforg.co.jp>

Alpha Novatech, Inc. - a subsidiary of Alpha Company.

473 Sapena Ct. #12 Santa Clara, CA 95054 USA
PHONE +1(408)567-8082
FAX +1(408)567-8053
E mail : sales@alphanovatech.com
URL : <https://www.alphanovatech.com>