

UBZ Series

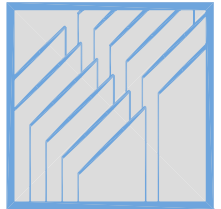
Low Pressure Drop and
Low Thermal Resistance Heat Sink
For Z-Shaped CLIP / QSZ CLIP

ALPHA

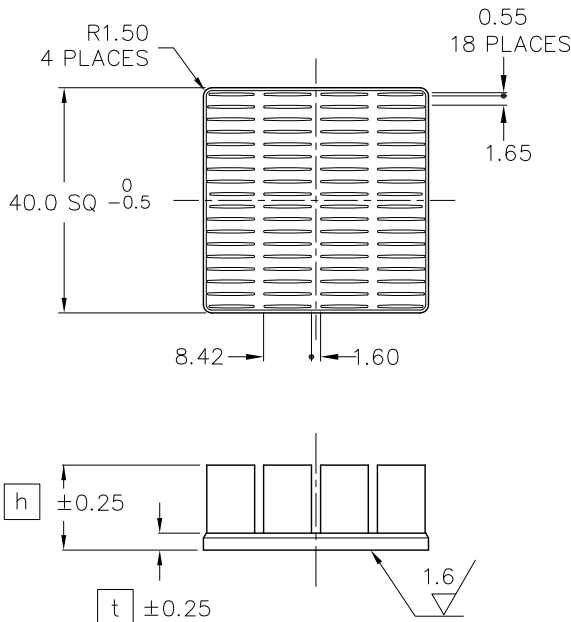
ALPHA

Low Pressure Drop and
Low Thermal Resistance Heat Sink
For Z-Shaped CLIP / QSZ CLIP

UBZ 40



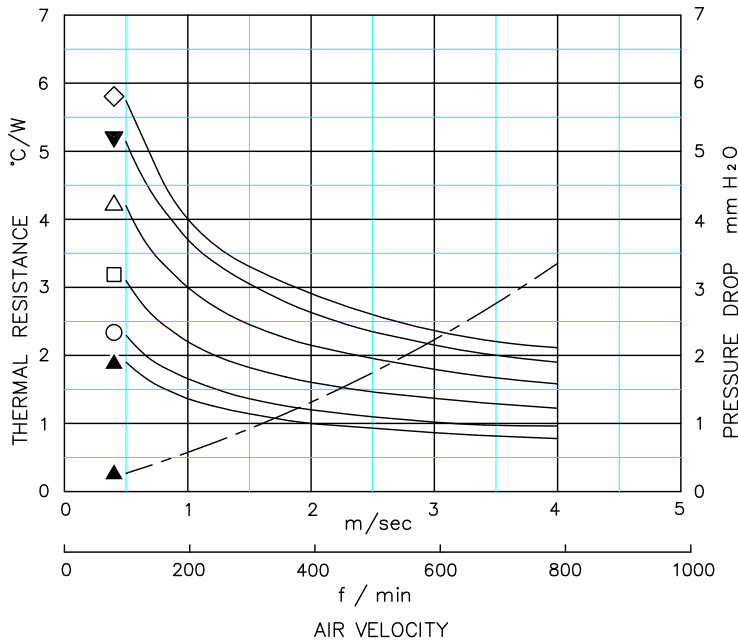
DIM



MODEL	HEIGHT [h]	THICKNESS [t]	WEIGHT (grams)
UBZ40-6B	6	2.0	11.5
UBZ40-7B	7		12.3
UBZ40-10B	10	3.0	18.1
UBZ40-15B	15		22.0
UBZ40-20B	20		25.8
UBZ40-25B	25		29.7

MATERIAL : A 6063
FINISH : BLACK ANODIZE
DIMENSIONS : mm

DATA



- ◇ UBZ40-6B
- ▼ UBZ40-7B
- △ UBZ40-10B
- UBZ40-15B
- UBZ40-20B
- ▲ UBZ40-25B

● DUCTED CONDITION
DUMMY HEATER SIZE: 12.7 SQ
THERMAL RESISTANCE ———
PRESURE DROP - - - - -

■ BASED ON ALPHA'S STANDARD TEST PROCEDURE.
REFER TO TECHNICAL INFORMATION.

Alpha Company Ltd.

256-1 UEDA, NUMAZU-CITY SHIZUOKA-PREF., JAPAN
PHONE +81(55)966 0789
FAX +81(55)966 9192
E mail : alpha@micforg.co.jp
URL : <http://www.micforg.co.jp>

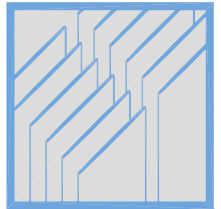
Alpha Novatech, Inc. - a subsidiary of Alpha Company.

473 Sapena Ct. #12 Santa Clara, CA 95054 USA
PHONE +1(408)567-8082
FAX +1(408)567-8053
E mail : sales@alphanovatech.com
URL : <http://www.alphanovatech.com>

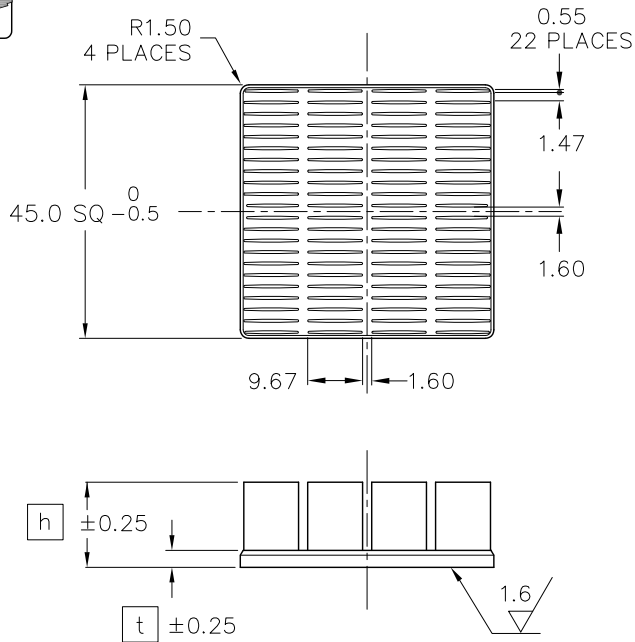
ALPHA

Low Pressure Drop and
Low Thermal Resistance Heat Sink
For Z-Shaped CLIP / QSZ CLIP

UBZ 45



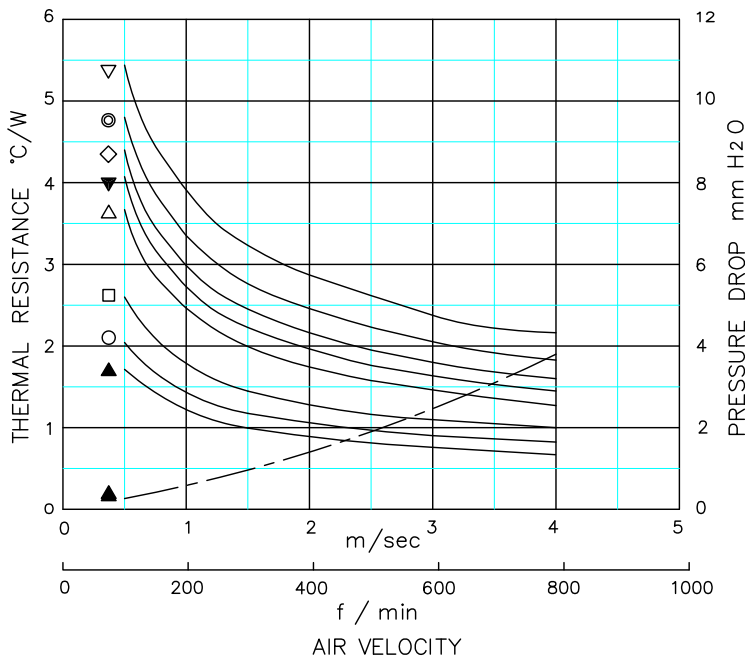
DIM



MODEL	HEIGHT [h]	THICKNESS [t]	WEIGHT (grams)
UBZ45-6B	6	2.5	17.2
UBZ45-7B	7		18.3
UBZ45-8B	8		19.4
UBZ45-9B	9	3.0	20.5
UBZ45-10B	10		23.7
UBZ45-15B	15		29.2
UBZ45-20B	20		34.7
UBZ45-25B	25		40.2

MATERIAL : A 6063
FINISH : BLACK ANODIZE
DIMENSIONS : mm

DATA



- ▽ UBZ45-6B
- ◎ UBZ45-7B
- ◇ UBZ45-8B
- ▼ UBZ45-9B
- △ UBZ45-10B
- UBZ45-15B
- UBZ45-20B
- ▲ UBZ45-25B

● DUCTED CONDITION
DUMMY HEATER SIZE: 12.7 SQ
THERMAL RESISTANCE ———
PRESURE DROP - - - - -

■ BASED ON ALPHA'S STANDARD TEST PROCEDURE.
REFER TO TECHNICAL INFORMATION.

Alpha Company Ltd.

256-1 UEDA, NUMAZU-CITY SHIZUOKA-PREF., JAPAN
PHONE +81(55)966 0789
FAX +81(55)966 9192
E mail : alpha@micforg.co.jp
URL : http://www.micforg.co.jp

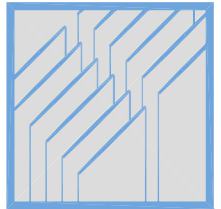
Alpha Novatech, Inc. - a subsidiary of Alpha Company.

473 Sapena Ct. #12 Santa Clara, CA 95054 USA
PHONE +1(408)567-8082
FAX +1(408)567-8053
E mail : sales@alphanovatech.com
URL : http://www.alphanovatech.com

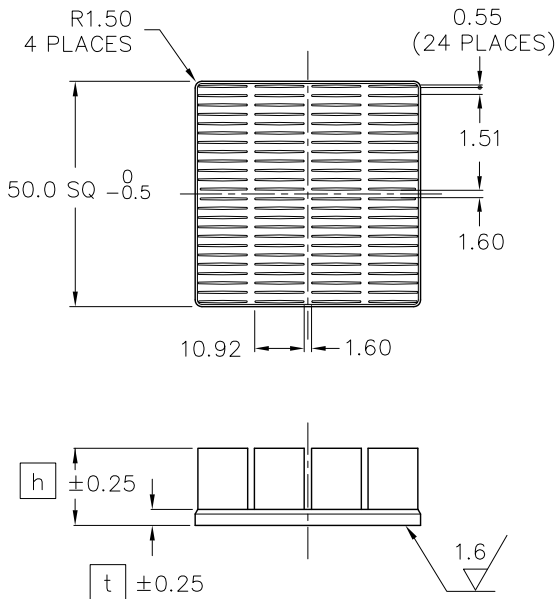
ALPHA

Low Pressure Drop and
Low Thermal Resistance Heat Sink
For Z-Shaped CLIP / QSZ CLIP

UBZ50



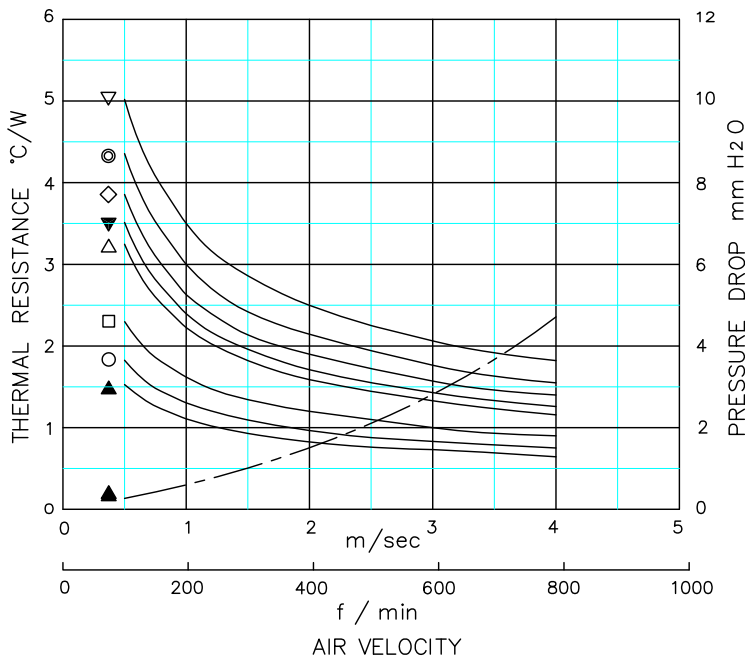
DIM



MODEL	HEIGHT [h]	THICKNESS [t]	WEIGHT (grams)
UBZ50-6B	6	2.5	21.3
UBZ50-7B	7		22.6
UBZ50-8B	8		24.0
UBZ50-9B	9	3.5	25.3
UBZ50-10B	10		32.0
UBZ50-15B	15		38.8
UBZ50-20B	20		45.5
UBZ50-25B	25		52.3

MATERIAL : A 6063
FINISH : BLACK ANODIZE
DIMENSIONS : mm

DATA



- ▽ UBZ50-6B
- ◎ UBZ50-7B
- ◇ UBZ50-8B
- ▼ UBZ50-9B
- △ UBZ50-10B
- UBZ50-15B
- UBZ50-20B
- ▲ UBZ50-25B

● DUCTED CONDITION
DUMMY HEATER SIZE: 12.7 SQ
THERMAL RESISTANCE ———
PRESURE DROP - - - - -

■ BASED ON ALPHA'S STANDARD TEST PROCEDURE.
REFER TO TECHNICAL INFORMATION.

Alpha Company Ltd.

256-1 UEDA, NUMAZU-CITY SHIZUOKA-PREF., JAPAN
PHONE +81(55)966 0789
FAX +81(55)966 9192
E mail : alpha@micforg.co.jp
URL : http://www.micforg.co.jp

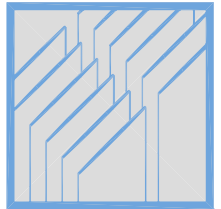
Alpha Novatech, Inc. - a subsidiary of Alpha Company.

473 Sapena Ct. #12 Santa Clara, CA 95054 USA
PHONE +1(408)567-8082
FAX +1(408)567-8053
E mail : sales@alphanovatech.com
URL : http://www.alphanovatech.com

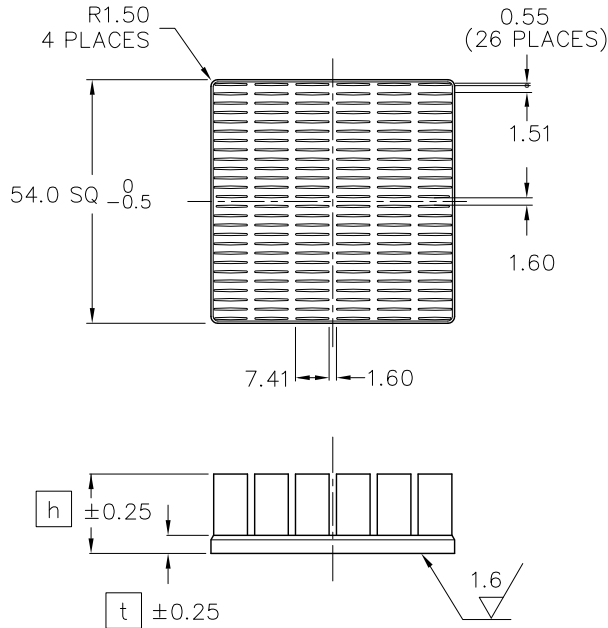
ALPHA

Low Pressure Drop and
Low Thermal Resistance Heat Sink
For Z-Shaped CLIP / QSZ CLIP

UBZ54



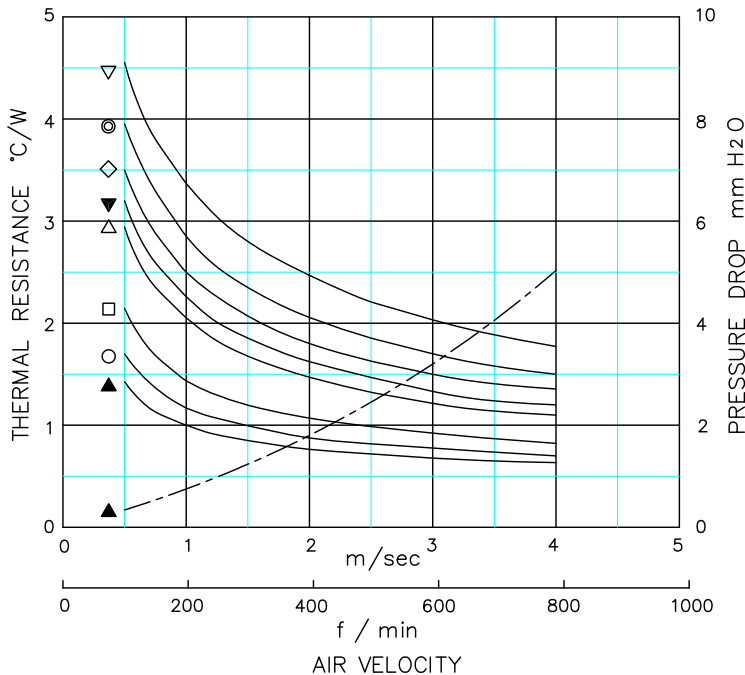
DIM



MODEL	HEIGHT [h]	THICKNESS [t]	WEIGHT (grams)
UBZ54-6B	6	3	27.6
UBZ54-7B	7		29.1
UBZ54-8B	8		30.6
UBZ54-9B	9		32.1
UBZ54-10B	10	4	39.9
UBZ54-15B	15		47.3
UBZ54-20B	20		54.7
UBZ54-25B	25		62.1

MATERIAL : A 6063
FINISH : BLACK ANODIZE
DIMENSIONS : mm

DATA



- ▽ UBZ54-6B
- ◎ UBZ54-7B
- ◇ UBZ54-8B
- ▼ UBZ54-9B
- △ UBZ54-10B
- UBZ54-15B
- UBZ54-20B
- ▲ UBZ54-25B

● DUCTED CONDITION
DUMMY HEATER SIZE: 12.7 SQ
THERMAL RESISTANCE ———
PRESURE DROP - - - - -

■ BASED ON ALPHA'S STANDARD TEST PROCEDURE.
REFER TO TECHNICAL INFORMATION.

Alpha Company Ltd.

256-1 UEDA, NUMAZU-CITY SHIZUOKA-PREF., JAPAN
PHONE +81(55)966 0789
FAX +81(55)966 9192
E mail : alpha@micforg.co.jp
URL : http://www.micforg.co.jp

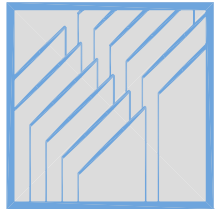
Alpha Novatech, Inc. - a subsidiary of Alpha Company.

473 Sapena Ct. #12 Santa Clara, CA 95054 USA
PHONE +1(408)567-8082
FAX +1(408)567-8053
E mail : sales@alphanovatech.com
URL : http://www.alphanovatech.com

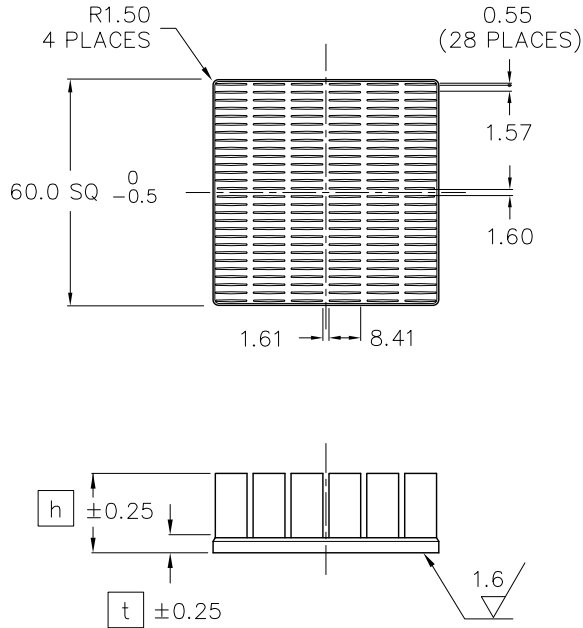
ALPHA

Low Pressure Drop and
Low Thermal Resistance Heat Sink
For Z-Shaped CLIP / QSZ CLIP

UBZ 60



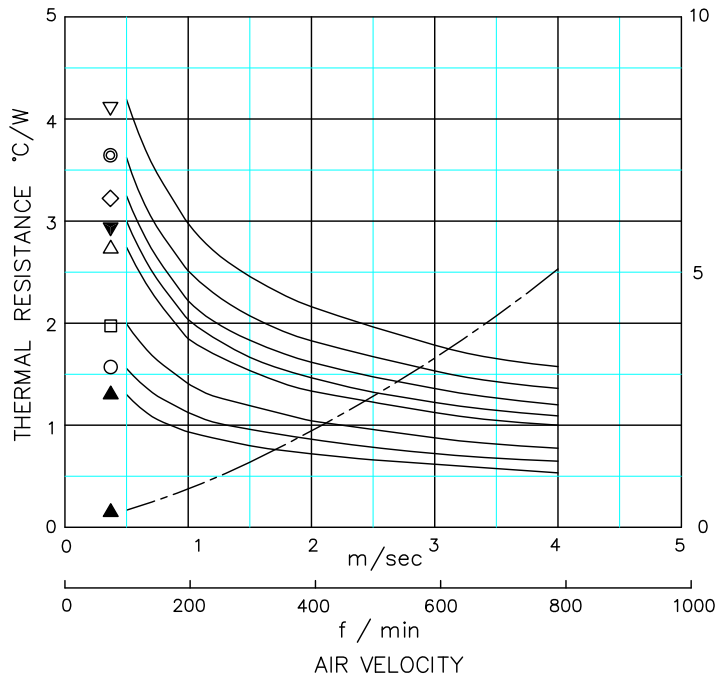
DIM



MODEL	HEIGHT [h]	THICKNESS [t]	WEIGHT (grams)
UBZ60-6B	6	3	34.1
UBZ60-7B	7		35.9
UBZ60-8B	8		37.8
UBZ60-9B	9	4	39.6
UBZ60-10B	10		49.2
UBZ60-15B	15		58.3
UBZ60-20B	20		67.4
UBZ60-25B	25		76.5

MATERIAL : A 6063
FINISH : BLACK ANODIZE
DIMENSIONS : mm

DATA



- ▽ UBZ60-6B
- ◎ UBZ60-7B
- ◇ UBZ60-8B
- ▼ UBZ60-9B
- △ UBZ60-10B
- UBZ60-15B
- UBZ60-20B
- ▲ UBZ60-25B

● DUCTED CONDITION
DUMMY HEATER SIZE: 12.7 SQ
THERMAL RESISTANCE ———
PRESURE DROP - - - - -

■ BASED ON ALPHA'S STANDARD TEST PROCEDURE.
REFER TO TECHNICAL INFORMATION.

Alpha Company Ltd.

256-1 UEDA, NUMAZU-CITY SHIZUOKA-PREF., JAPAN
PHONE +81(55)966 0789
FAX +81(55)966 9192
E mail : alpha@micforg.co.jp
URL : http://www.micforg.co.jp

Alpha Novatech, Inc. - a subsidiary of Alpha Company.

473 Sapena Ct. #12 Santa Clara, CA 95054 USA
PHONE +1(408)567-8082
FAX +1(408)567-8053
E mail : sales@alphanovatech.com
URL : http://www.alphanovatech.com