

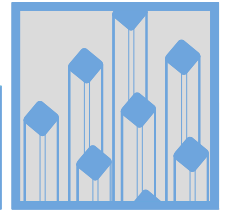
SR Series
Omnidirectional Heat Sink
with Mounting Tabs

ALPHA

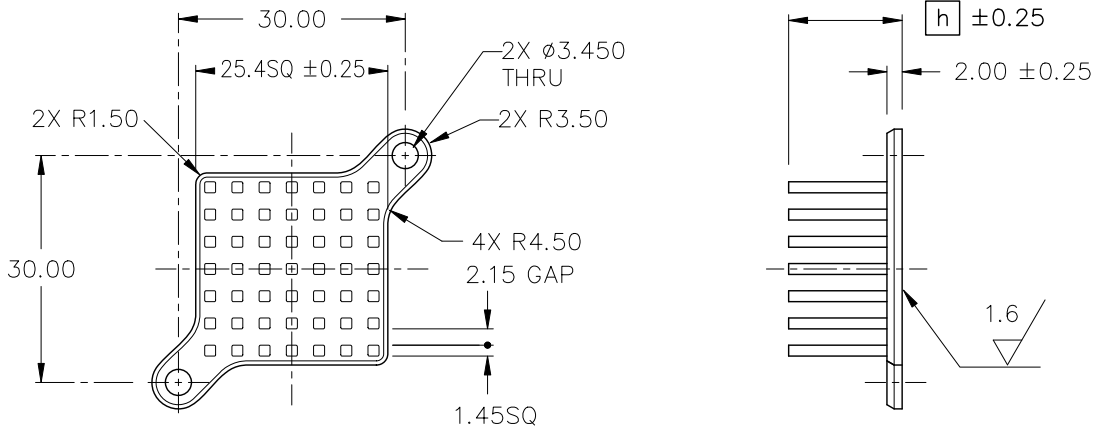
ALPHA

Omnidirectional Heat Sink with Mounting Tabs

SR25



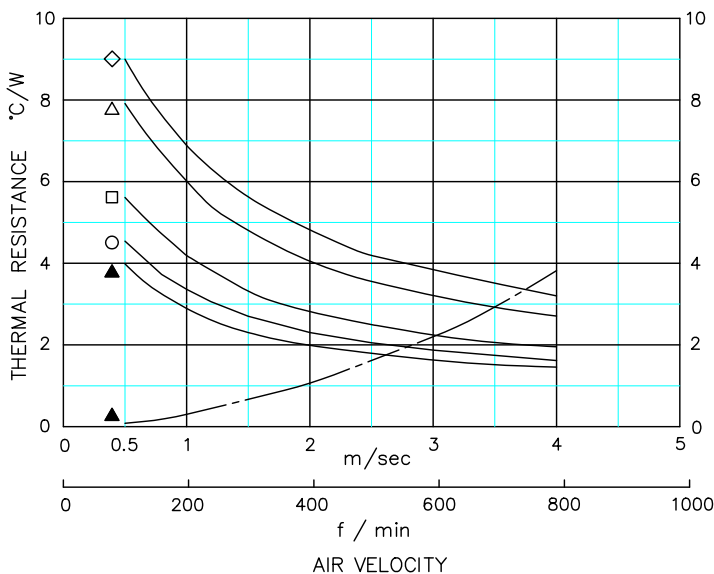
DIM



MODEL	HEIGHT h	WEIGHT (grams)
SR25-8B	8	5.6
SR25-10B	10	6.1
SR25-15B	15	7.5
SR25-20B	20	8.9
SR25-25B	25	10.2

MATERIAL : A 6063
 FINISH : BLACK ANODIZE
 DIMENSIONS : mm

DATA



- ◇ SR25-8B
- △ SR25-10B
- SR25-15B
- SR25-20B
- ▲ SR25-25B

● DUCTED CONDITION
 DUMMY HEATER SIZE: 12.7 SQ
 THERMAL RESISTANCE ———
 PRESSURE DROP - - - - -

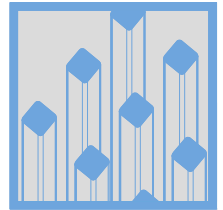
■ BASED ON ALPHA'S STANDARD TEST PROCEDURE.
 REFER TO TECHNICAL INFORMATION.

Alpha Company Ltd.

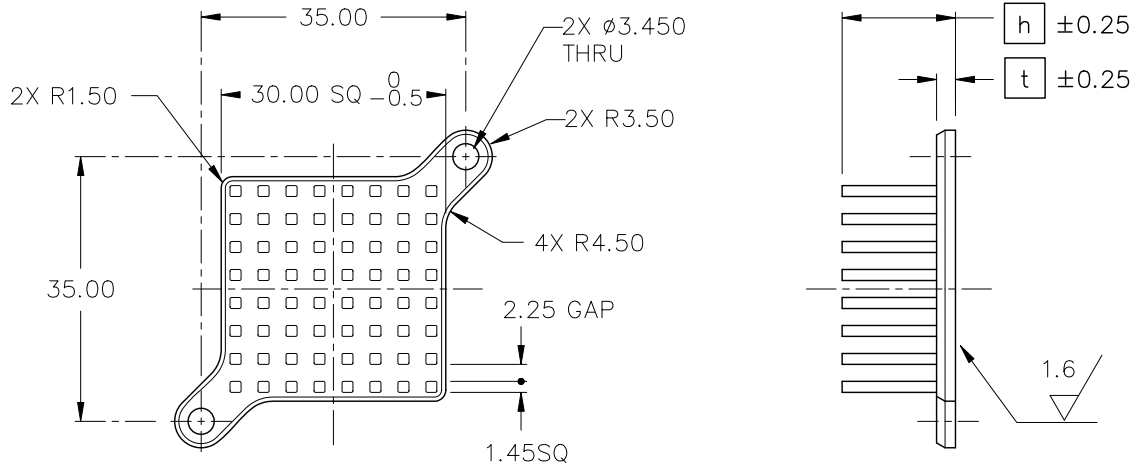
256-1 UEDA, NUMAZU-CITY SHIZUOKA-PREF., JAPAN
 PHONE +81(55)966 0789
 FAX +81(55)966 9192
 E mail : alpha@micforg.co.jp
 URL : <http://www.micforg.co.jp>

Alpha Novatech, Inc. - a subsidiary of Alpha Company.

473 Sapena Ct. #12 Santa Clara, CA 95054 USA
 PHONE +1(408)567-8082
 FAX +1(408)567-8053
 E mail : sales@alphanovatech.com
 URL : <http://www.alphanovatech.com>



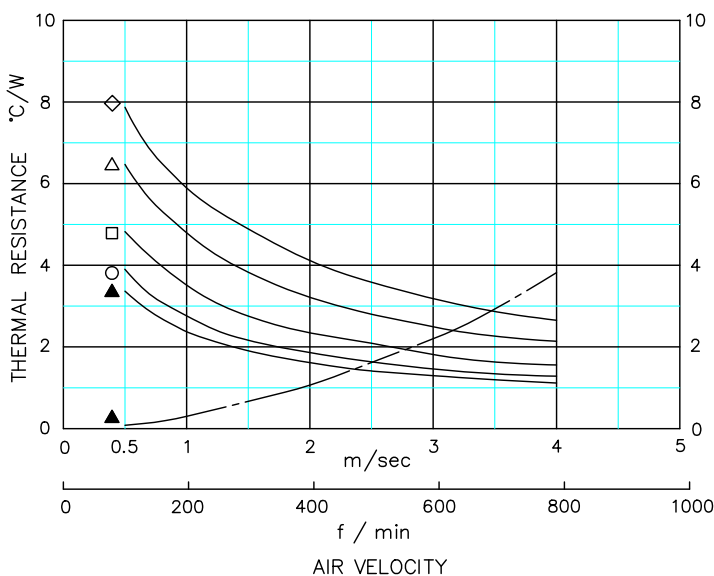
DIM



MODEL	HEIGHT [h]	THICKNESS [t]	WEIGHT (grams)
SR30-8B	8	2.50	7.4
SR30-10B	10		9.3
SR30-15B	15		11.1
SR30-20B	20		12.8
SR30-25B	25		14.6
SR30-[h]B	[h] < 10	2.00	-
	10 ≤ [h]	2.50	-

MATERIAL : A 6063
 FINISH : BLACK ANODIZE
 DIMENSIONS : mm

DATA



- ◇ SR30-8B
- △ SR30-10B
- SR30-15B
- SR30-20B
- ▲ SR30-25B

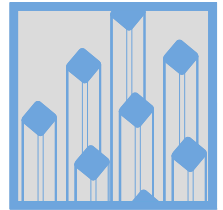
● DUCTED CONDITION
 DUMMY HEATER SIZE: 12.7 SQ
 THERMAL RESISTANCE ———
 PRESURE DROP - - - - -

■ BASED ON ALPHA'S STANDARD TEST PROCEDURE.
 REFER TO TECHNICAL INFORMATION.

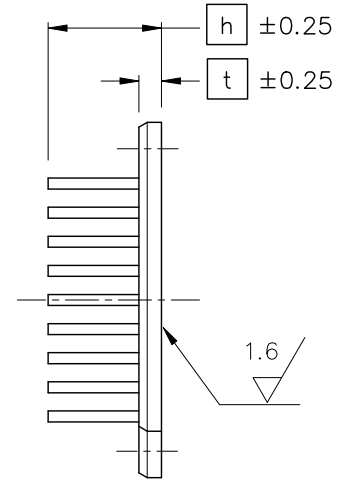
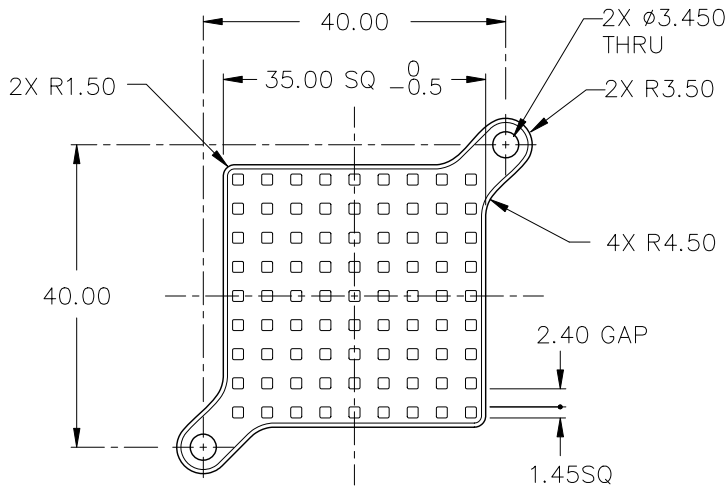
ALPHA

Omnidirectional Heat Sink with Mounting Tabs

SR35



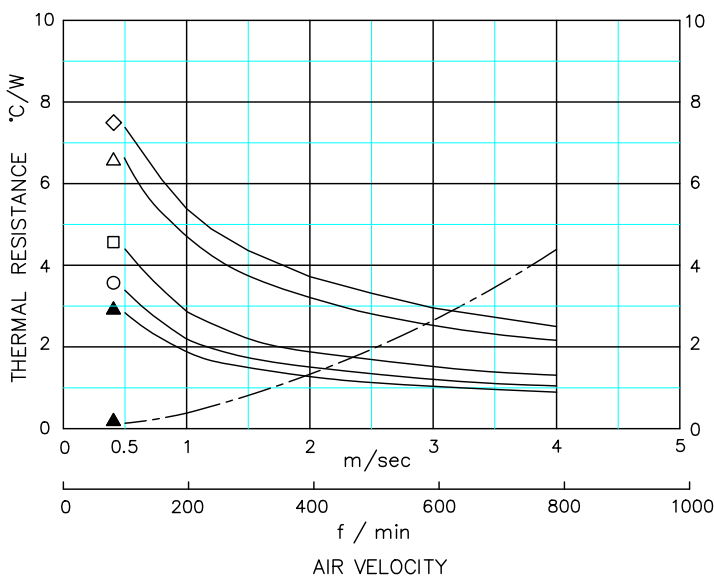
DIM



MODEL	HEIGHT [h]	THICKNESS [t]	WEIGHT (grams)
SR35-8B	8	2.00	9.7
SR35-10B	10		13.7
SR35-15B	15		15.9
SR35-20B	20		18.2
SR35-25B	25		20.5
SR35-[h]B	[h] < 10	2.00	-
	10 ≤ [h]	3.00	-

MATERIAL : A 6063
FINISH : BLACK ANODIZE
DIMENSIONS : mm

DATA



- ◇ SR35-8B
- △ SR35-10B
- SR35-15B
- SR35-20B
- ▲ SR35-25B

● DUCTED CONDITION
DUMMY HEATER SIZE: 12.7 SQ
THERMAL RESISTANCE ———
PRESURE DROP - - - - -

■ BASED ON ALPHA'S STANDARD TEST PROCEDURE.
REFER TO TECHNICAL INFORMATION.

Alpha Company Ltd.

256-1 UEDA, NUMAZU-CITY SHIZUOKA-PREF., JAPAN
PHONE +81(55)966 0789
FAX +81(55)966 9192
E mail : alpha@micforg.co.jp
URL : <http://www.micforg.co.jp>

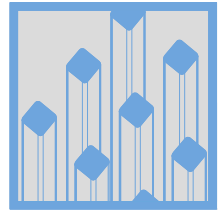
Alpha Novatech, Inc. - a subsidiary of Alpha Company.

473 Sapena Ct. #12 Santa Clara, CA 95054 USA
PHONE +1(408)567-8082
FAX +1(408)567-8053
E mail : sales@alphanovatech.com
URL : <http://www.alphanovatech.com>

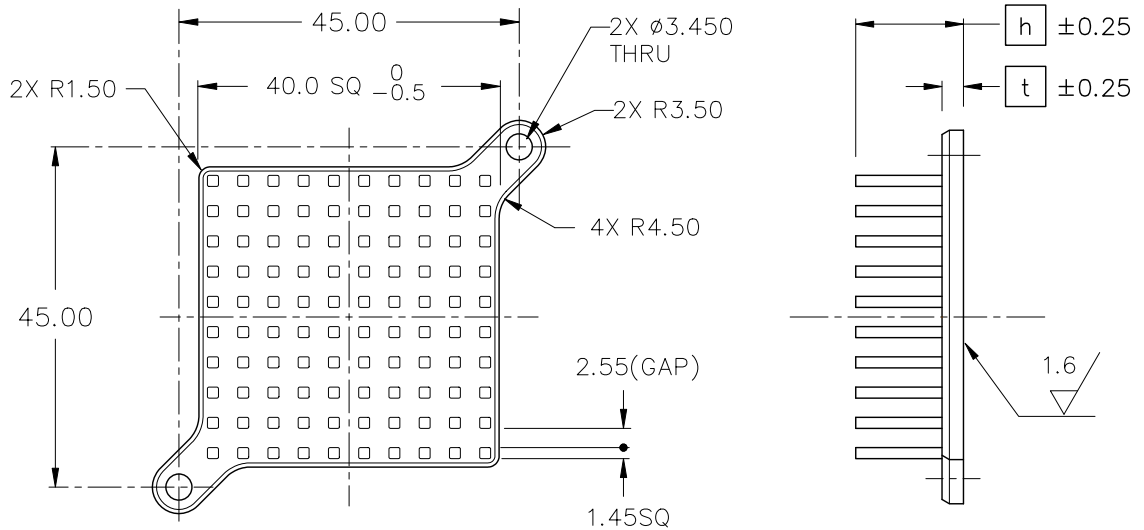
ALPHA

Omnidirectional Heat Sink with Mounting Tabs

SR40



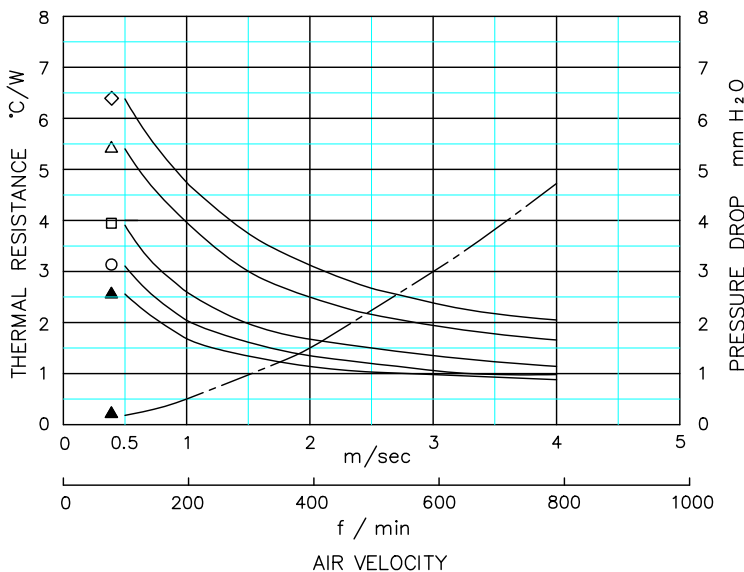
DIM



MODEL	HEIGHT [h]	THICKNESS [t]	WEIGHT (grams)
SR40-8B	8	2.50	14.3
SR40-10B	10	3.00	17.4
SR40-15B	15		20.2
SR40-20B	20		23.0
SR40-25B	25		25.8
SR40-[h]B	$h < 10$	2.50	-
	$10 \leq h$	3.00	-

MATERIAL : A 6063
FINISH : BLACK ANODIZE
DIMENSIONS : mm

DATA



- ◇ SR40-8B
- △ SR40-10B
- SR40-15B
- SR40-20B
- ▲ SR40-25B

● DUCTED CONDITION
DUMMY HEATER SIZE: 12.7 SQ
THERMAL RESISTANCE ———
PRESURE DROP - - - - -

■ BASED ON ALPHA'S STANDARD TEST PROCEDURE.
REFER TO TECHNICAL INFORMATION.

Alpha Company Ltd.

256-1 UEDA, NUMAZU-CITY SHIZUOKA-PREF., JAPAN
PHONE +81(55)966 0789
FAX +81(55)966 9192
E mail : alpha@micforg.co.jp
URL : <http://www.micforg.co.jp>

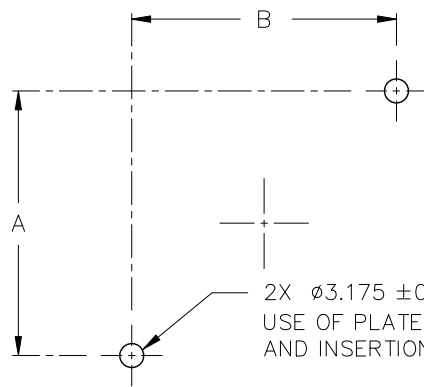
Alpha Novatech, Inc. - a subsidiary of Alpha Company.

473 Sapena Ct. #12 Santa Clara, CA 95054 USA
PHONE +1(408)567-8082
FAX +1(408)567-8053
E mail : sales@alphanovatech.com
URL : <http://www.alphanovatech.com>

REF



PCB HOLE LAYOUT



LPDR25, UBR25, NR25 AND SR25	30.0	30.0
LPDR30, UBR30, NR30 AND SR30	35.0	35.0
LPDR35, UBR35, NR35 AND SR35	40.0	40.0
LPDR40, UBR40, NR40 AND SR40	45.0	45.0
LPDR45, UBR45 AND NR45	50.0	50.0
MODEL	A	B