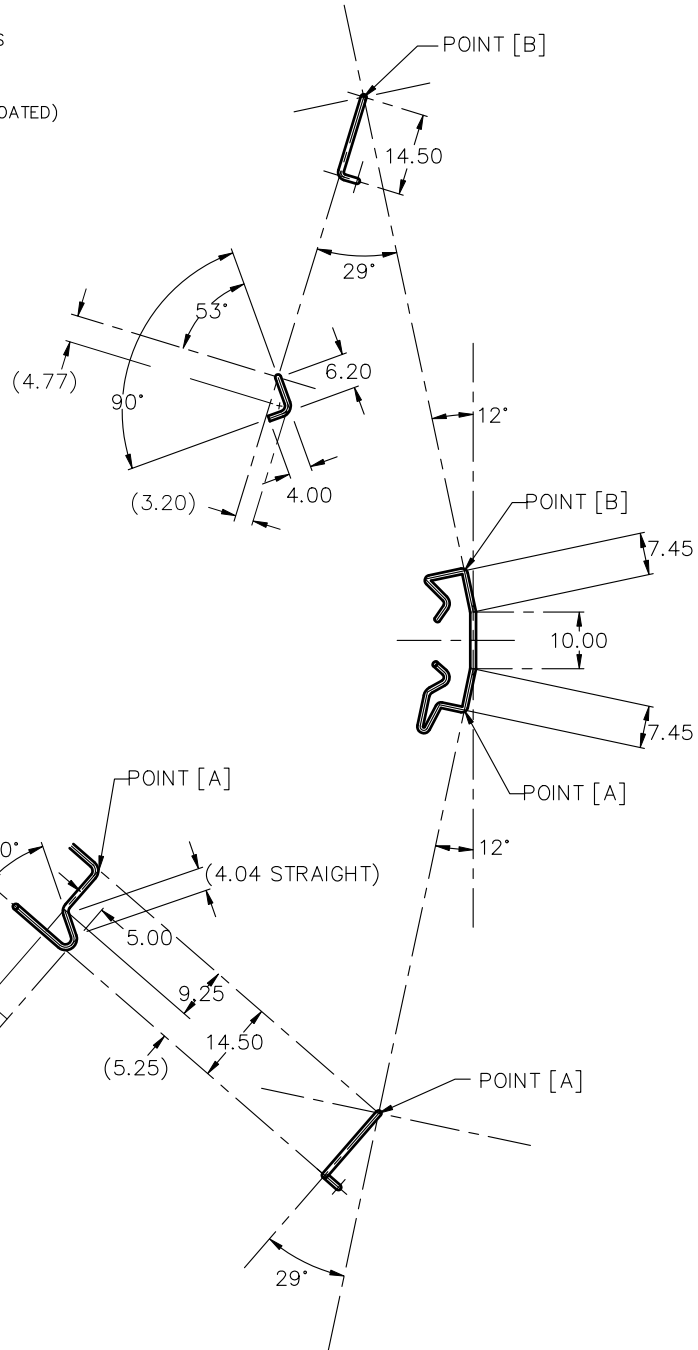
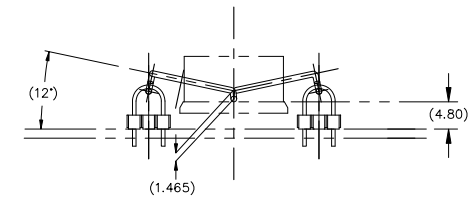
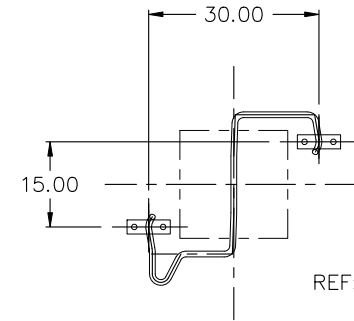


- NOTES : UNLESS OTHERWISE SPECIFIED
1. INTERPRET DIMENSIONS AND TOLERANCES PER ANSI Y14.5M
 2. ALL DIMENSIONS ARE IN MILLIMETERS.
 3. MATERIAL SW-C (SWIC-F NICKEL PRECOATED)
WIRE DIA 1.00
 4. TOLERANCES :
.XX ±0.254
.XXX ±0.127
ANGLES ± 5°
 5. INNER CORNER RADIUS 1.0



REVISIONS				
REV	DATE	DESCRIPTION	CHG	APPR
A	JUL 22 '19	CHG ANGLE TO 29° (WAS 25.5°) X2 CHG NAME (WAS EZR-30X15_Dia10_PRT2)	M. Y.	M. Y.
B	AUG 09 '19	CHG THE HOOK SHAPE ON ONE SIDE. STRAIGHT 1.00 -> STRAIGHT 2.00 3.00 --> 4.00, 30° --> 20°	Y. S.	Y. S.



chip height 2.80 + HS BASE t 2.00 = 4.80 target force 1.50 kgf

ITEM	PART NO.	PART NAME	REMARK	Q'TY
ALPHA CO.,LTD.			CSTMR'S PART NO.	
		MATERIAL SEE NOTE 3	NAME EZR-30X15	
SCALE 1 : 1		APPR & CHCK Y. SUZUKI	PART NO. & DWG NO.	REV
DATE MAY 07 2019		DSGN & DWG Y. SUZUKI	S001ZBJ3	B
RDCTN:			LOFF:	