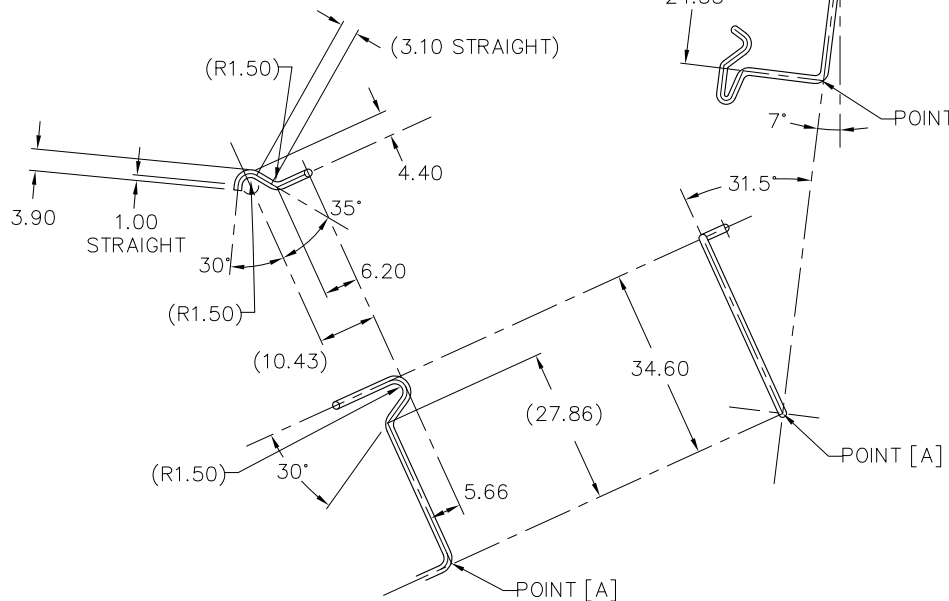
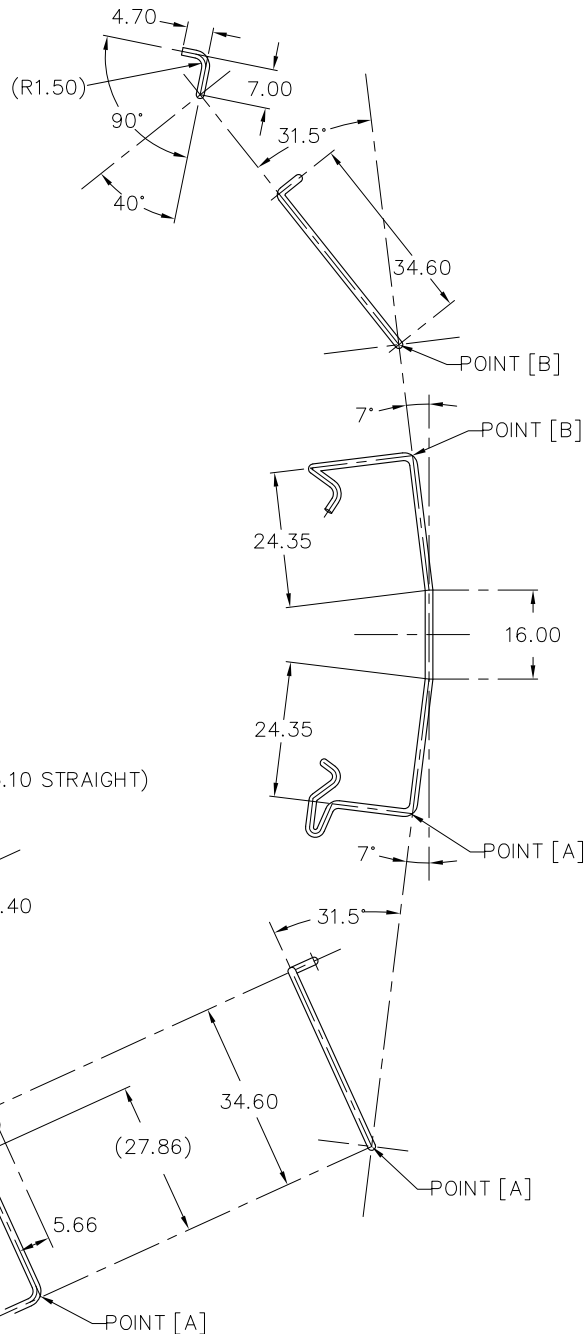
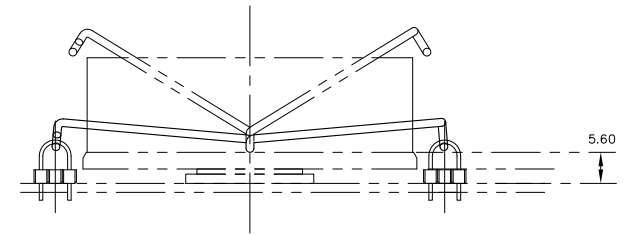
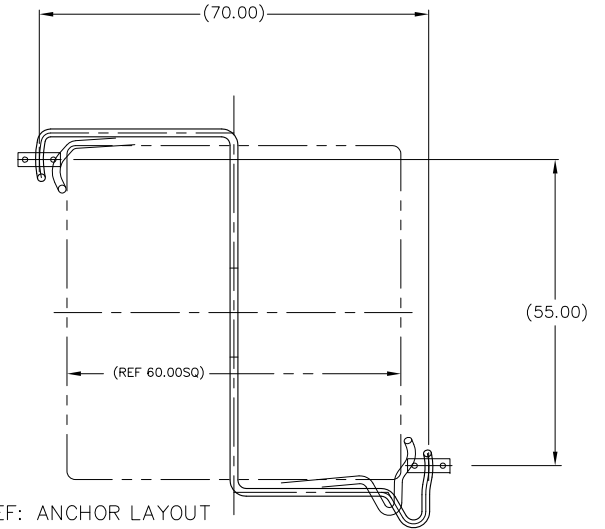


- NOTES : UNLESS OTHERWISE SPECIFIED
1. INTERPRET DIMENSIONS AND TOLERANCES PER ANSI Y14.5M
  2. ALL DIMENSIONS ARE IN MILLIMETERS.
  3. MATERIAL SW-C (SWIC-F NICKEL PRECOATED)  
WIRE DIA 1.40
  4. TOLERANCES :  
.XX ±0.254  
.XXX ±0.127  
ANGLES ± 3°
  5. INNER CORNER RADIUS 1.5



| REVISIONS |      |             |     |      |
|-----------|------|-------------|-----|------|
| REV       | DATE | DESCRIPTION | CHG | APPR |



| ITEM                | PART NO. | PART NAME               | REMARK                         | Q'TY  |
|---------------------|----------|-------------------------|--------------------------------|-------|
|                     |          | <b>ALPHA CO.,LTD.</b>   | CSTM'R'S PART NO.              |       |
|                     |          | MATERIAL<br>SEE NOTE 3  | NAME<br>EZL-70x55              |       |
| SCALE<br>1 : 1      |          | APPR & CHCK<br>Y.SUZUKI | PART NO. & DWG NO.<br>S001ZBG6 | REV   |
| DATE<br>MAR 02 2017 |          | DSGN & DWG<br>Y.SUZUKI  | RDCTN:                         | LOFF: |