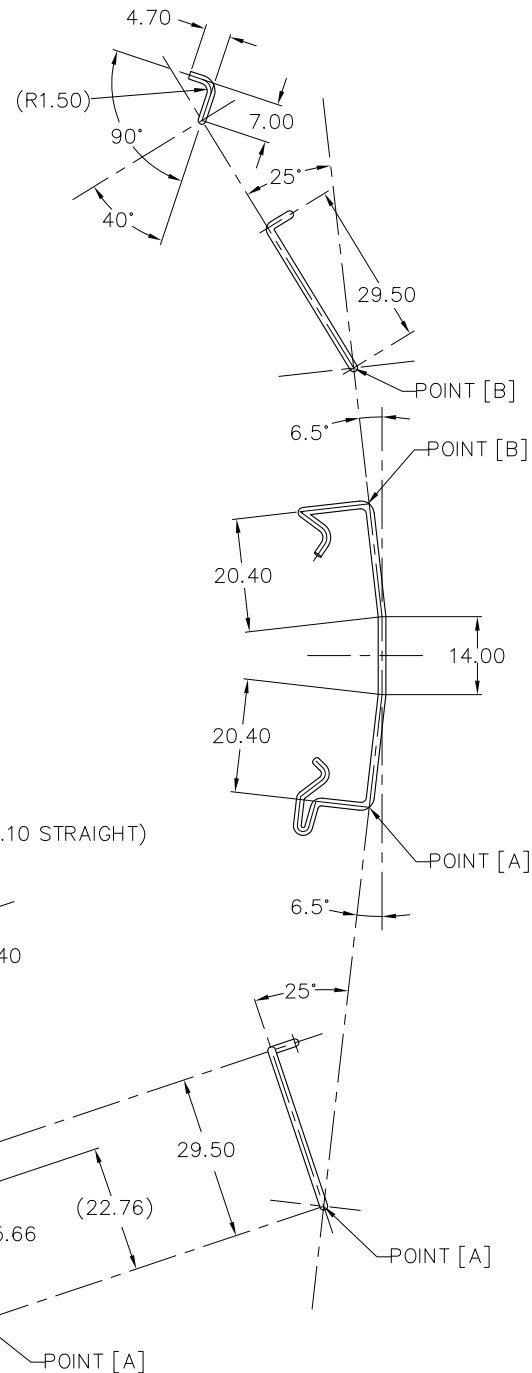
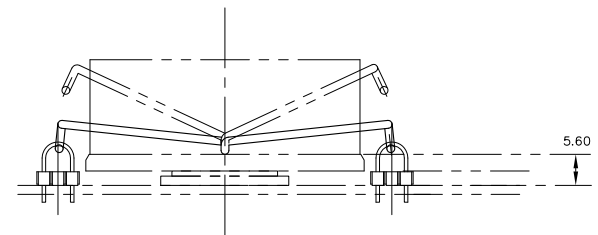
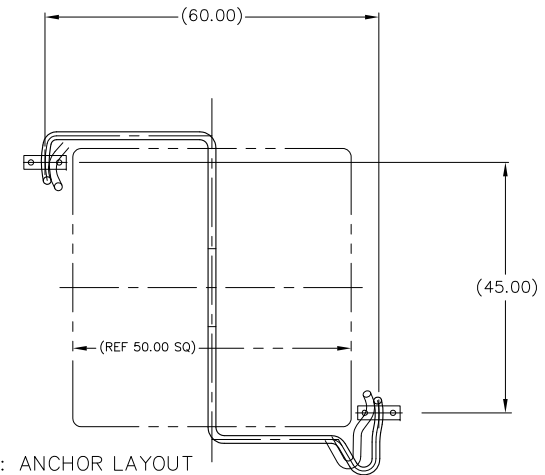


- NOTES : UNLESS OTHERWISE SPECIFIED
1. INTERPRET DIMENSIONS AND TOLERANCES PER ANSI Y14.5M
  2. ALL DIMENSIONS ARE IN MILLIMETERS.
  3. MATERIAL SW-C (SWIC-F NICKEL PRECOATED)  
WIRE DIA 1.40
  4. TOLERANCES :  
.XX ±0.254  
.XXX ±0.127  
ANGLES ± 3°
  5. INNER CORNER RADIUS 1.5



REVISIONS				
REV	DATE	DESCRIPTION	CHG	APPR



ITEM	PART NO.	PART NAME	REMARK	Q'TY
<b>ALPHA CO.,LTD.</b>			CSTM'R'S PART NO.	
		MATERIAL SEE NOTE 3	NAME EZL-60x45	
SCALE 1 : 1		APPR & CHCK Y.SUZUKI	PART NO. & DWG NO. <b>S001ZBG5</b>	REV
DATE MAR 02 2017		DSGN & DWG Y.SUZUKI	RDCTN:	LOFF: