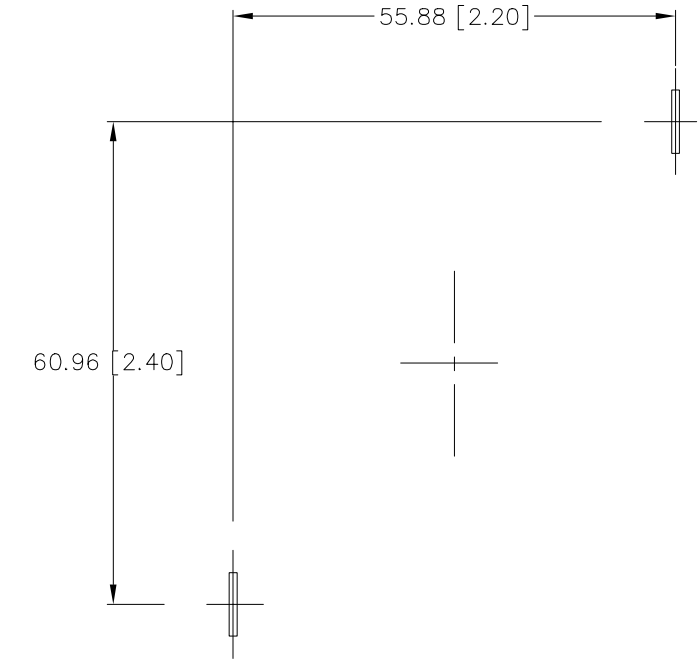
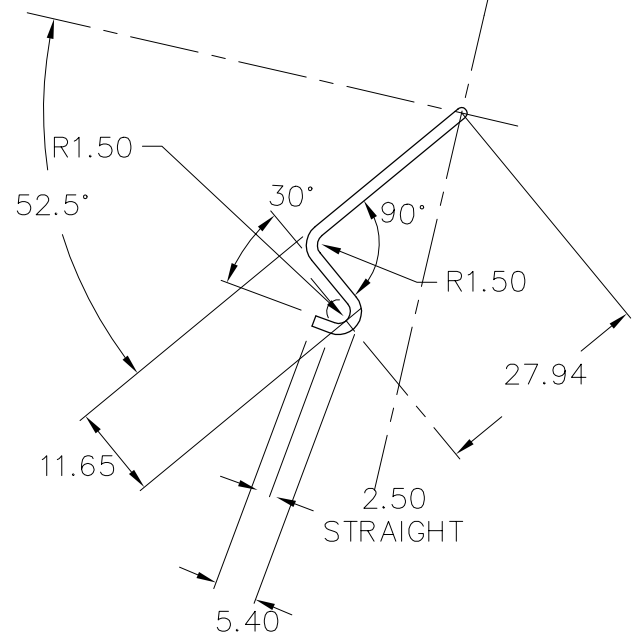
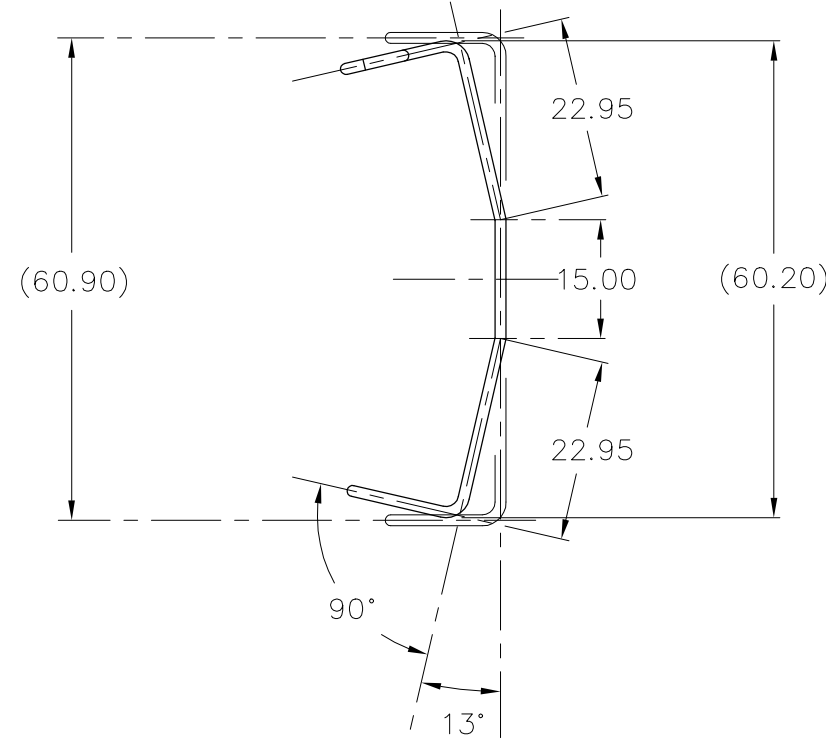
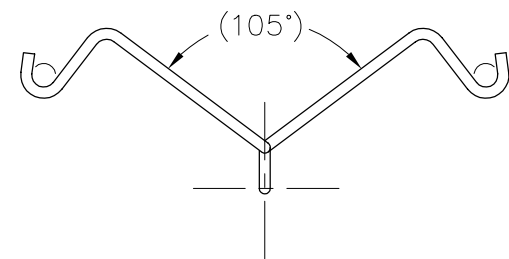
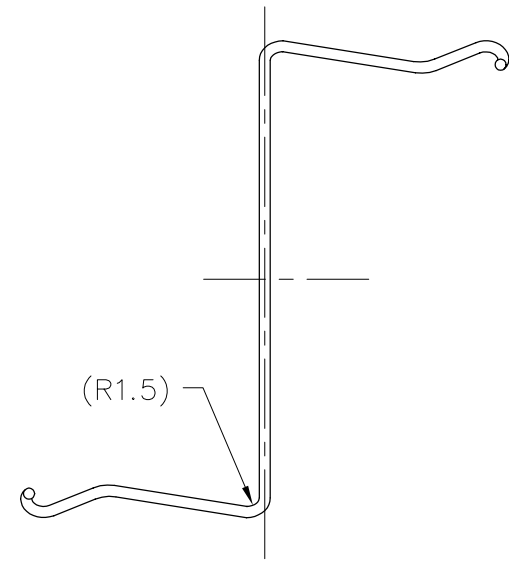


REVISIONS				
REV	DATE	DESCRIPTION	CHG	APPR
THIS (INITIAL) DWG: MIRROR IMAGE OF THE S001ZB29-B , +FEB 13. '08 DESCRIPTION.				



REF: ANCHOR LAYOUT

- NOTES : UNLESS OTHERWISE SPECIFIED
1. INTERPRET DIMENSIONS AND TOLERANCES PER ANSI Y14.5M
 2. ALL DIMENSIONS ARE IN MILLIMETERS.
 3. MATERIAL SW-C (SWIC-F NICKEL PRECOATED)
WIRE DIA 1.40
 4. TOLERANCES :
.XX ±0.254
.XXX ±0.127
ANGLES ± 3°

ITEM	PART NO.	PART NAME	REMARK	Q'TY
ALPHA CO.,LTD.			CSTM'R'S PART NO.	
		MATERIAL SEE NOTE 3	NAME Z-CL 55.8Rx60.9	
SCALE 1 : 1		APPR & CHCK Y. SUZUKI	PART NO. & DWG NO.	
DATE DEc 15 2010		DSGN & DWG Y. SUZUKI	S001ZB83	
RDCTN:			LOFF:	