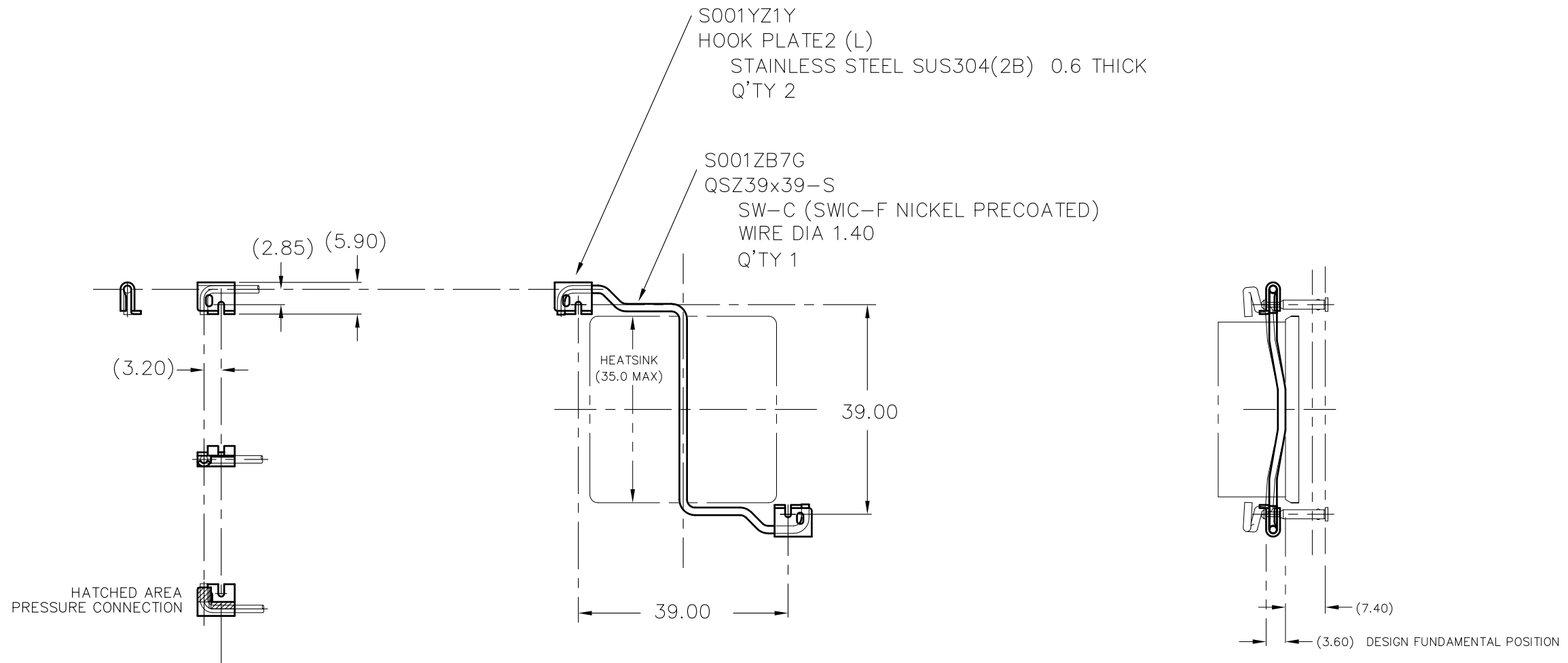


REVISIONS				
REV	DATE	DESCRIPTION	CHG	APPR
PRODUCTION RELEASE				



ANCHOR LAYOUT ON BOARD  
REQUIRES  $\phi 1.80 \pm 0.05$  THRU HOLES  
FOR ANCHORS IN BOARD.

- NOTES : UNLESS OTHERWISE SPECIFIED
1. INTERPRET DIMENSIONS AND TOLERANCES PER ANSI Y14.5M
  2. ALL DIMENSIONS ARE IN MILLIMETERS.
  3. TOLERANCES :  
 .XX  $\pm 0.254$   
 .XXX  $\pm 0.127$   
 ANGLES  $\pm 3^\circ$

ITEM	PART NO.	PART NAME	REMARK	Q'TY
<b>ALPHA CO.,LTD.</b>			CSTM'R'S PART NO.	
	MATERIAL		NAME QSZ39x39	
SCALE 1 : 1	APPR & CHCK Y.SUZUKI		PART NO. & DWG NO. S001ZB7F	
DATE NOV 28. 2010	DSGN & DWG Y.SUZUKI		RDCTN:	LOFF: