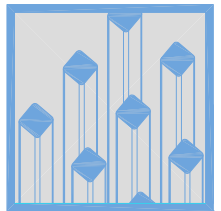


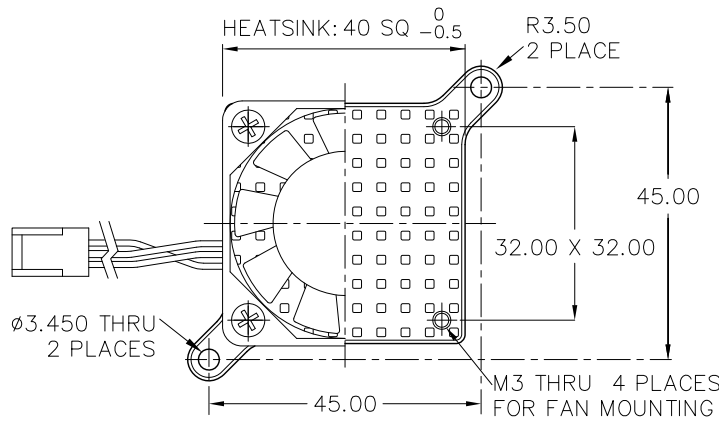
# ALPHA

## Active Heat Sink with Mounting Tabs

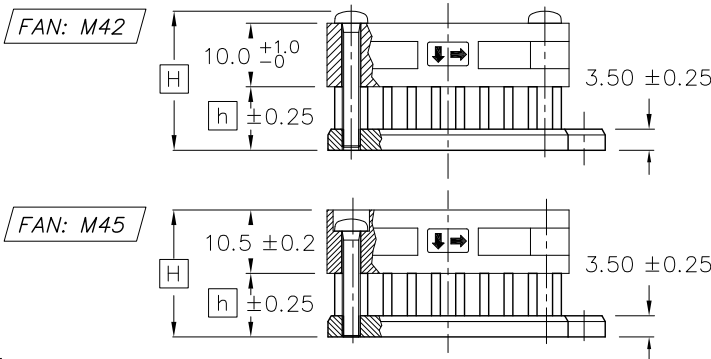
# FSR40



DIM



- HEAT SINK  
MATERIAL : A 6063  
FINISH : BLACK ANODIZE
- FAN  
M42: SANYO DENKI 109P0412H901  
40 SQ +1.0/-0  
M45: COFAN F-4010H12BII-12  
40.5 SQ  $\pm 0.4$
- SCREW  
PAN HEAD M3  
STEEL ZINC / CHROMATE ( Cr3+ )



MODEL	HEIGHT		WEIGHT (grams)
	H	h	
FSR40-8M42	(20.5)	8.0	42.3
FSR40-15M42	(27.5)	15.0	47.0
FSR40-8M45	(18.5)	8.0	41.8
FSR40-15M45	(25.5)	15.0	46.5

DIMENSIONS : mm

DATA



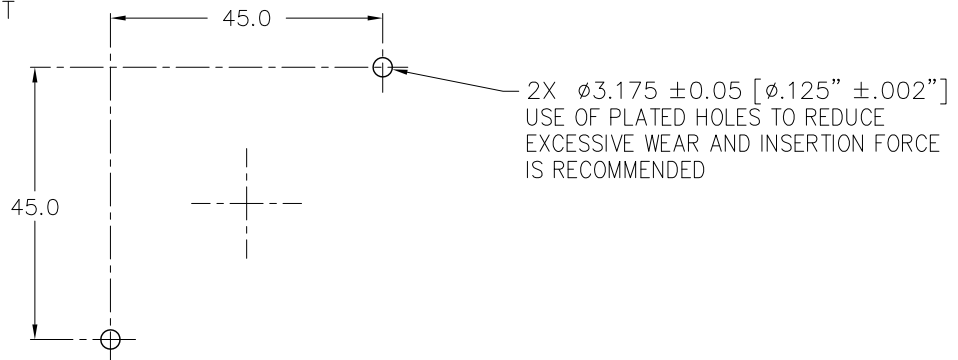
MODEL	DUMMY HEATER	THERMAL RESISTANCE $^{\circ}\text{C}/\text{W}$	Bar Chart Value
FSR40-8M42	DUMMY HEATER: 12.7SQ	2.32 $^{\circ}\text{C}/\text{W}$	~2.3
	DUMMY HEATER: 25 SQ	2.06 $^{\circ}\text{C}/\text{W}$	~2.1
FSR40-15M42	DUMMY HEATER: 12.7SQ	1.63 $^{\circ}\text{C}/\text{W}$	~1.6
	DUMMY HEATER: 25 SQ	1.38 $^{\circ}\text{C}/\text{W}$	~1.4
FSR40-8M45	DUMMY HEATER: 12.7SQ	1.75 $^{\circ}\text{C}/\text{W}$	~1.8
	DUMMY HEATER: 25 SQ	1.55 $^{\circ}\text{C}/\text{W}$	~1.6
FSR40-15M45	DUMMY HEATER: 12.7SQ	1.19 $^{\circ}\text{C}/\text{W}$	~1.2
	DUMMY HEATER: 25 SQ	1.01 $^{\circ}\text{C}/\text{W}$	~1.0

■ TESTING SPECIFICATIONS DUMMY HEATER SIZE: 12.7SQ & 25SQ  
 ■ BASED ON ALPHA'S STANDARD TEST PROCEDURE. REFER TO TECHNICAL INFORMATION.

REF



PCB HOLE LAYOUT



Alpha Company Ltd.

256-1 UEDA, NUMAZU-CITY SHIZUOKA-PREF., JAPAN  
 PHONE +81(55)966 0789  
 FAX +81(55)966 9192  
 E mail : alpha@micforg.co.jp  
 URL : <http://www.micforg.co.jp>

Alpha Novatech, Inc. - a subsidiary of Alpha Company.

473 Sapena Ct. #12 Santa Clara, CA 95054 USA  
 PHONE +1(408)567-8082  
 FAX +1(408)567-8053  
 E mail : sales@alphanovatech.com  
 URL : <http://www.alphanovatech.com>