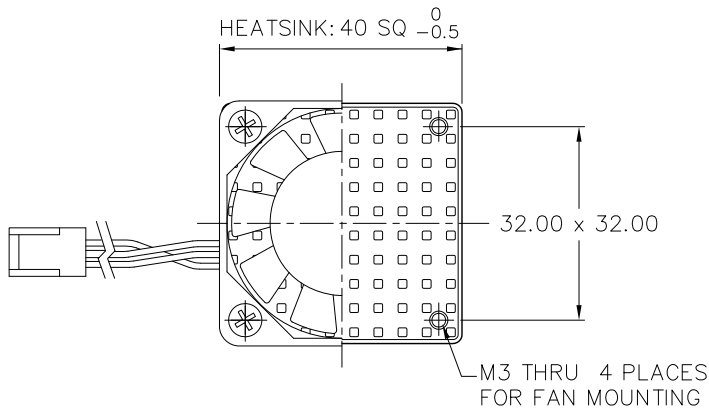
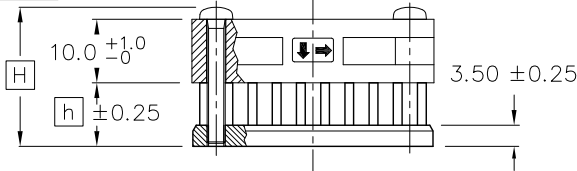


### DIM

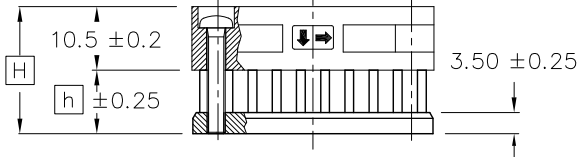


- HEAT SINK  
MATERIAL : A 6063  
FINISH : CLEAR ANODIZE
- FAN  
M42: SANYO DENKI 109P0412H901  
40 SQ +1.0/-0  
M45: COFAN F-4010H12BII-12  
40.5 SQ ±0.4
- SCREW  
PAN HEAD M3  
STEEL ZINC / CHROMATE ( Cr3+ )

FAN: M42



FAN: M45



| MODEL      | HEIGHT |      | WEIGHT (grams) |
|------------|--------|------|----------------|
|            | H      | h    |                |
| FS40-8M42  | (20.5) | 8.0  | 44.0           |
| FS40-15M42 | (27.5) | 15.0 | 46.0           |
| FS40-8M45  | (18.5) | 8.0  | 43.5           |
| FS40-15M45 | (25.5) | 15.0 | 45.5           |

DIMENSIONS : mm

### DATA



| MODEL      | DUMMY HEATER         | THERMAL RESISTANCE (°C/W) | Bar Chart Value (°C/W) |
|------------|----------------------|---------------------------|------------------------|
| FS40-8M42  | DUMMY HEATER: 12.7SQ | 2.32 °C/W                 | ~2.3                   |
|            | DUMMY HEATER: 25 SQ  | 2.06 °C/W                 | ~2.1                   |
| FS40-15M42 | DUMMY HEATER: 12.7SQ | 1.63 °C/W                 | ~1.6                   |
|            | DUMMY HEATER: 25 SQ  | 1.38 °C/W                 | ~1.4                   |
| FS40-8M45  | DUMMY HEATER: 12.7SQ | 1.75 °C/W                 | ~1.8                   |
|            | DUMMY HEATER: 25 SQ  | 1.55 °C/W                 | ~1.6                   |
| FS40-15M45 | DUMMY HEATER: 12.7SQ | 1.19 °C/W                 | ~1.2                   |
|            | DUMMY HEATER: 25 SQ  | 1.01 °C/W                 | ~1.0                   |

■ TESTING SPECIFICATIONS DUMMY HEATER SIZE: 12.7SQ & 25SQ  
 ■ BASED ON ALPHA'S STANDARD TEST PROCEDURE. REFER TO TECHNICAL INFORMATION.